

LAMP (by others)	"A"
18 WATT	24"
39 WATT	30"
40 WATT	36"
50 WATT	36"

- A. SPECIAL LAMP CLIP AND MOUNTING CLIP REQUIRED FOR LAMP DOWN CONFIGURATION (Must be ordered separately)  
Order: P-2013-01-00
- B. FIXTURE CONSTRUCTION: FORMED ALUMINUM
- C. FIXTURE FINISH: SATIN ANODIZED

**UL** LISTED  
DAMP LOCATION

ORDERING FORMAT: choose one from each category

SERIES	BALLAST MOUNT	LAMP	VOLTAGE	BALLAST
2862	1	<input type="checkbox"/> 18 watt compact fluorescent (2G11) (rapid start)	<input type="checkbox"/> 1 120 volt	<input type="checkbox"/> H high power factor (18, 39 & 40 watt only)
		<input type="checkbox"/> 39 watt compact fluorescent (2G11)	<input type="checkbox"/> 2 277 volt	<input type="checkbox"/> E electronic
		<input type="checkbox"/> 40 watt compact fluorescent (2G11)		<input type="checkbox"/> D dimming (39, 40 & 50 watt only)
		<input type="checkbox"/> 50 watt compact fluorescent (2G11)		

JOB NAME: \_\_\_\_\_

APPROVED FOR FABRICATION:  
REV.7 1-19-99 DK  
REV.8 2-07-01 DK

\* ALL DIMENSIONS SHOWN ARE IN INCHES

**BELFER** division of LIGHTING WORLD INC  
1703 VALLEY ROAD  
OCEAN, NJ 07712  
TEL (732) 493-2666  
FAX (732) 493-2941

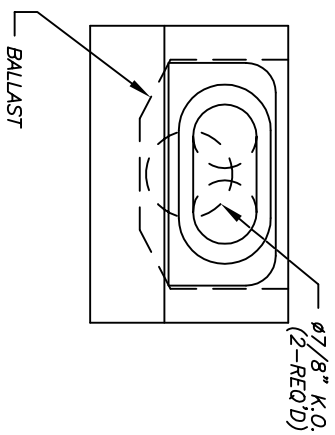
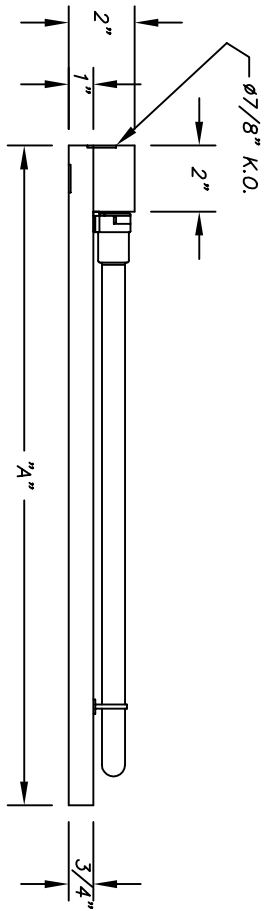
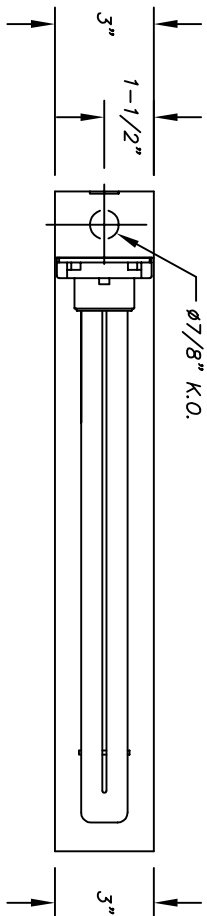
DATE: 11-17-94  
SCALE: NTS  
SHEET: 1 OF 1  
DRAWING NUMBER: SUB 2662  
REV.8

TITLE: FIXTURE #2862-18W/39W/40W/50W

THIS DOCUMENT IS THE PROPERTY OF LIGHTING WORLD INC. NO RIGHTS ARE GRANTED FOR REPRODUCTION, DISCLOSURE, OR USE.

STANDARD MODIFIED CUSTOM

COPYRIGHT © LIGHTING WORLD INC.



LAMP (by others)	"A"
18 WATT	14"
39 WATT	20"
40 WATT	26"
50 WATT	26"

- A. SPECIAL LAMP CLIP AND MOUNTING CLIP  
REQUIRED FOR LAMP DOWN CONFIGURATION  
(Must be ordered separately)  
Order: P-2013-01-00
- B. FIXTURE CONSTRUCTION: FORMED ALUMINUM  
C. FIXTURE FINISH: SATIN ANODIZED  
D. BALLAST BOX DIMENSIONS: 2" X 3" X 12"  
E. BALLAST BOX CONSTRUCTION: FORMED ALUMINUM  
F. BALLAST BOX FINISH: SATIN ANODIZED

**UL** LISTED  
DAMP LOCATION

choose one from each category

ORDERING FORMAT	SERIES	BALLAST MOUNT	LAMP	VOLTAGE	BALLAST
2862 module	R	remote	<input type="checkbox"/> 18 watt compact fluorescent (2G11) (rapid start) <input type="checkbox"/> 39 watt compact fluorescent (2G11) <input type="checkbox"/> 40 watt compact fluorescent (2G11) <input type="checkbox"/> 50 watt compact fluorescent (2G11)	<input type="checkbox"/> 1 120 volt <input type="checkbox"/> 2 277 volt	<input type="checkbox"/> H high power factor (18, 39 & 40 watt only) <input type="checkbox"/> E electronic <input type="checkbox"/> D dimming (39, 40 & 50 watt only)

JOB NAME: \_\_\_\_\_

APPROVED FOR FABRICATION:  
REV.2 1-19-99 DK  
REV.3 2-08-01 DK

\* ALL DIMENSIONS SHOWN ARE IN INCHES

**BELFER** division of LIGHTING WORLD INC  
1703 VALLEY ROAD  
OCEAN NJ 07712  
TEL (732) 493-2666  
FAX (732) 493-2941

DATE: 12-10-97  
SHEET: 1 OF 1  
SCALE: NTS  
DRAWING NUMBER: SUB\ 2862R  
REV.3

TITLE: FIXTURE #2862 REMOTE 18W/39W/40W/50W

STANDARD  MODIFIED  CUSTOM

THIS DOCUMENT IS THE PROPERTY OF LIGHTING WORLD INC. NO RIGHTS ARE GRANTED FOR REPRODUCTION, DISCLOSURE, OR USE.

COPYRIGHT © LIGHTING WORLD INC.