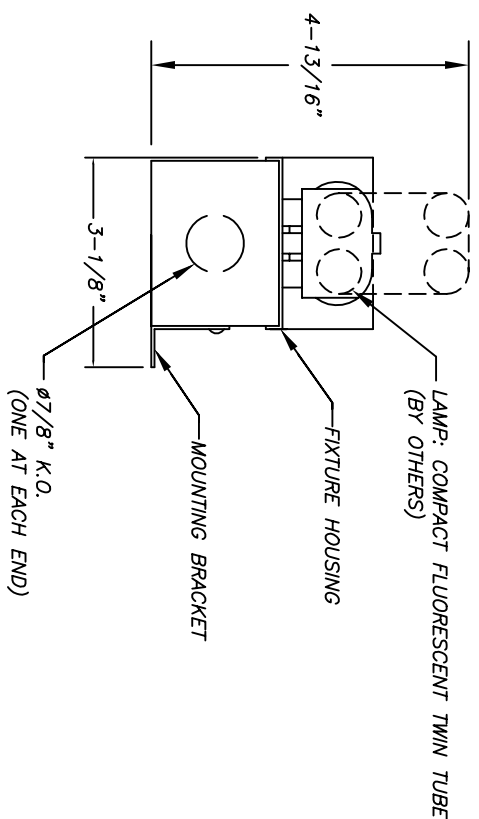


UL LISTED
DAMP LOCATION

2855NX218 IS COMPATIBLE WITH 2855FX218 LAMP - UP/DOWN SERIES.

ORDERING FORMAT LAMP CONFIGURATION LAMP VOLTAGE BALLAST LENGTH choose one from each category

2855 linear fixture	NX2 lamp up or down	<input type="checkbox"/> 18 watt compact fluorescent (rapid start)	<input type="checkbox"/> 1 120 volt <input type="checkbox"/> 2 277 volt	E electronic	<input type="checkbox"/> 48" length (6 lamps) <input type="checkbox"/> 32" length (4 lamps) <input type="checkbox"/> 16" length (2 lamps) <input type="checkbox"/> 8" length (1 lamp)
---------------------	---------------------	--	--	--------------	--



- A. 8" ON CENTER LAMP SPACING
 - B. CONSTRUCTION: FORMED ALUMINUM
 - C. FINISH: SATIN ANODIZED
 - D. ALL DIMENSIONS ARE NOMINAL.
 - E. LAMP LENGTHS MAY VARY FROM MANUFACTURER.
 - F. PLEASE ALLOW A NOMINAL 4" FOR LAMP OVERHANG.
 - G. SPECIAL LAMP CLIP AND MOUNTING BRACKET REQUIRED FOR LAMP DOWN CONFIGURATION. (MUST BE ORDERED SEPARATELY)
- ORDER: P-2013-01-00

JOB NAME: _____

APPROVED FOR FABRICATION: _____

REV.1 6-22-99 DK
REV.2 3-2-00 DK
REV.3 9-11-00 DK

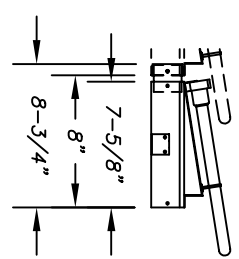
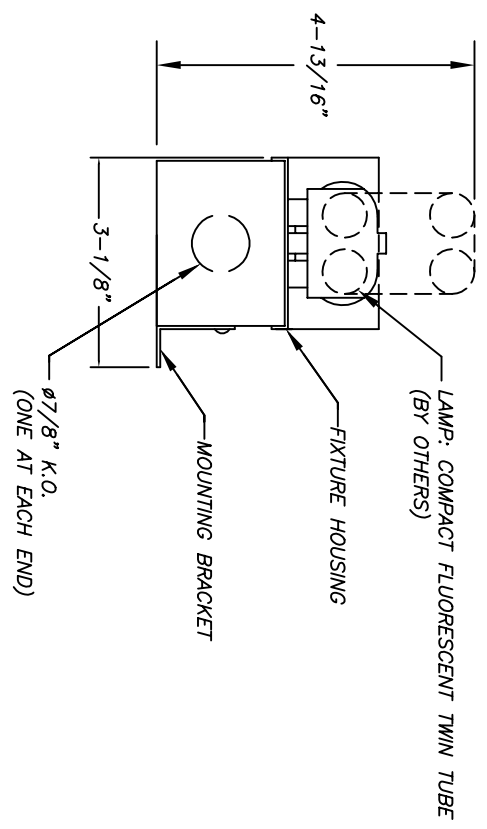
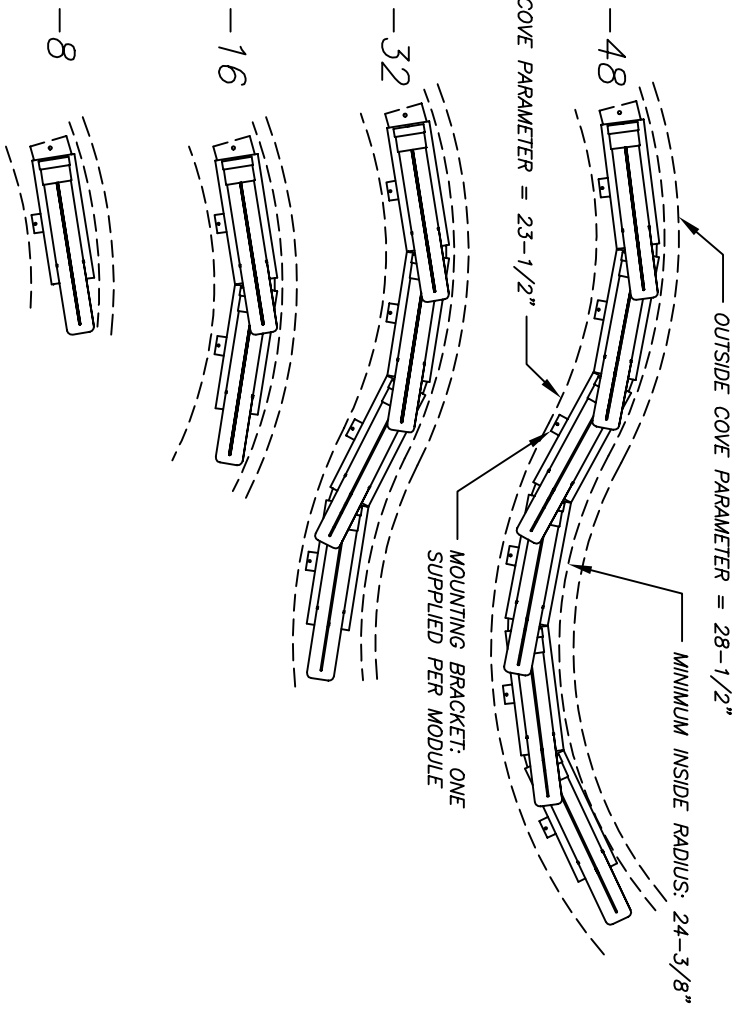
* ALL DIMENSIONS SHOWN ARE IN INCHES

BELFER division of LIGHTING WORLD INC
1703 VALLEY ROAD
OCEAN NJ 07712
TEL (732) 493-2666
FAX (732) 493-2941

DATE: 12-23-97 SCALE: NTS DRAWN: DK APPROVED: NA
SHEET: 1 OF 1 DRAWING NUMBER: SUBJ: 285518NX REV.3

THIS DOCUMENT IS THE PROPERTY OF LIGHTING WORLD INC. NO RIGHTS ARE GRANTED FOR REPRODUCTION, DISCLOSURE, OR USE. STANDARD MODIFIED CUSTOM

Copyright © Lighting World Inc.




- A. 8" ON CENTER LAMP SPACING
- B. COVE PARAMETERS AND RADIi CONSISTANT FOR ALL LENGTHS
- C. CONSTRUCTION: FORMED ALUMINUM
- D. FINISH: SATIN ANODIZED
- E. ALL DIMENSIONS ARE NOMINAL.
- F. LAMP LENGTHS MAY VARY FROM MANUFACTURER.
- G. PLEASE ALLOW A NOMINAL 4" FOR LAMP OVERHANG.
- H. SPECIAL LAMP CLIP AND MOUNTING BRACKET REQUIRED FOR LAMP DOWN CONFIGURATION. (MUST BE ORDERED SEPARATELY)
- I. FIELD CURVABLE - SHIPS STRAIGHT

JOB NAME: _____

APPROVED FOR FABRICATION:
 REV. 1 6-22-99 DK
 REV. 2 9-11-00 DK

* ALL DIMENSIONS SHOWN ARE IN INCHES



division of
 LIGHTING WORLD INC
 1703 VALLEY ROAD
 OCEAN NJ 07712
 TEL (732) 493-2666
 FAX (732) 493-2941

DATE: 12-29-97
 SCALE: NTS
 DRAWN: DK
 APPROVED: NA

SHEET: 1 OF 1
 DRAWING NUMBER: SUBJ: 2855FX18
 REV. 2

STANDARD MODIFIED CUSTOM

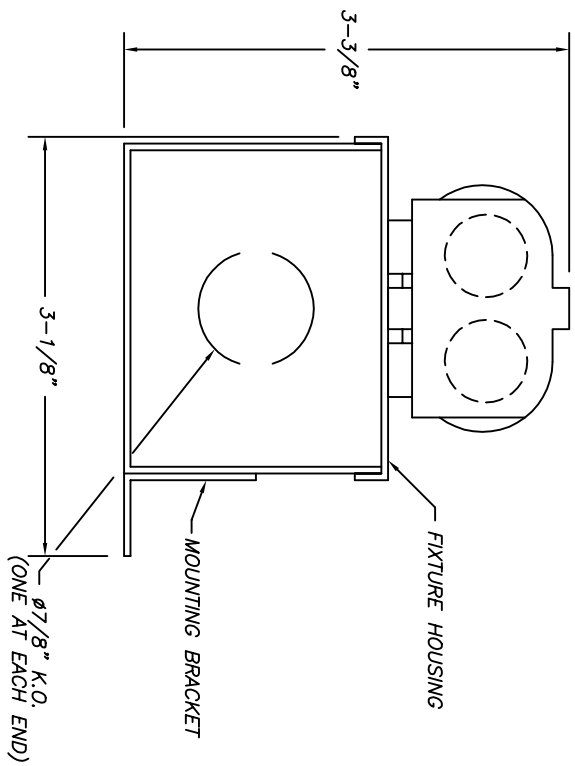
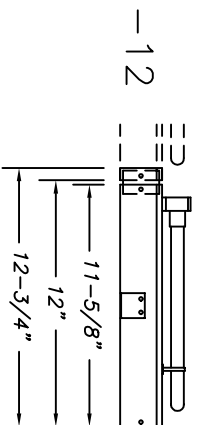
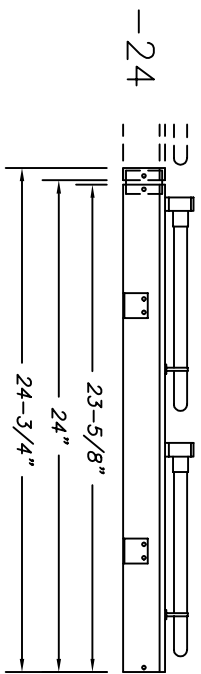
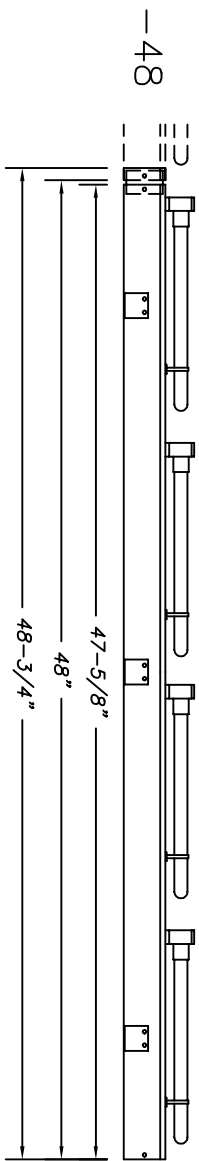
Copyright © Lighting World Inc.

2855FX218 IS COMPATIBLE WITH 2855NXX218 LAMP - UP/DOWN SERIES.

(U)S LISTED
 DAMP LOCATION

ORDERING FORMAT	LAMP CONFIGURATION	LAMP	VOLTAGE	BALLAST	LENGTH
2855 linear fixture	FX2 field curvable lamp up or down	<input type="checkbox"/> 18 watt compact fluorescent (rapid start)	<input type="checkbox"/> 120 volt <input type="checkbox"/> 277 volt	E electronic	<input type="checkbox"/> 48" length (6 lamps) <input type="checkbox"/> 32" length (4 lamps) <input type="checkbox"/> 16" length (2 lamps) <input type="checkbox"/> 8" length (1 lamp)

choose one from each category



- A. 12" ON CENTER LAMP SPACING
 - B. CONSTRUCTION: FORMED ALUMINUM
 - C. FINISH: SATIN ANODIZED
 - D. ALL DIMENSIONS ARE NOMINAL.
 - E. LAMP LENGTHS MAY VARY FROM MANUFACTURER.
 - F. SPECIAL LAMP CLIP AND MOUNTING BRACKET REQUIRED FOR LAMP DOWN CONFIGURATION. (MUST BE ORDERED SEPARATELY)
- ORDER: P-2013-01-00

2850NX2S18 IS COMPATIBLE WITH 2850FX2S18 LAMP - IN/OUT SERIES.

UL LISTED
DAMP LOCATION

ORDERING FORMAT: choose one from each category

SERIES	LAMP CONFIGURATION	LAMP	VOLTAGE	BALLAST	LENGTH
2850	linear fixture	<input type="checkbox"/> 18 watt compact fluorescent (rapid start)	<input type="checkbox"/> 120 volt <input type="checkbox"/> 277 volt	<input type="checkbox"/> H high power factor <input type="checkbox"/> E electronic	<input type="checkbox"/> 48" length (4 lamps) <input type="checkbox"/> 24" length (2 lamps) <input type="checkbox"/> 12" length (1 lamp)

JOB NAME: _____

APPROVED FOR FABRICATION: _____

REV.3 12-3-99 DK
REV.4 7-8-99 DK
REV.5 12-4-00 DK

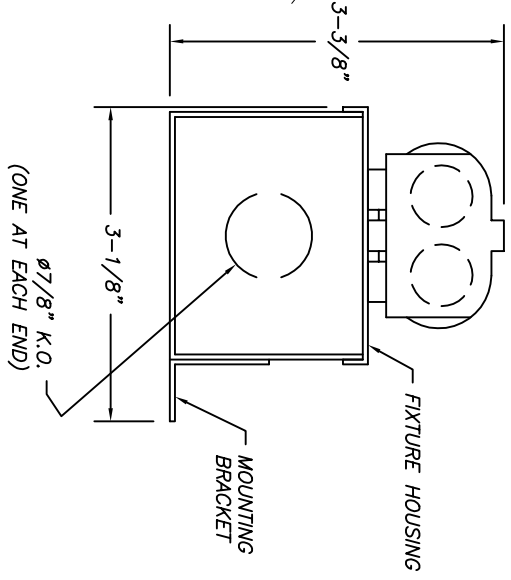
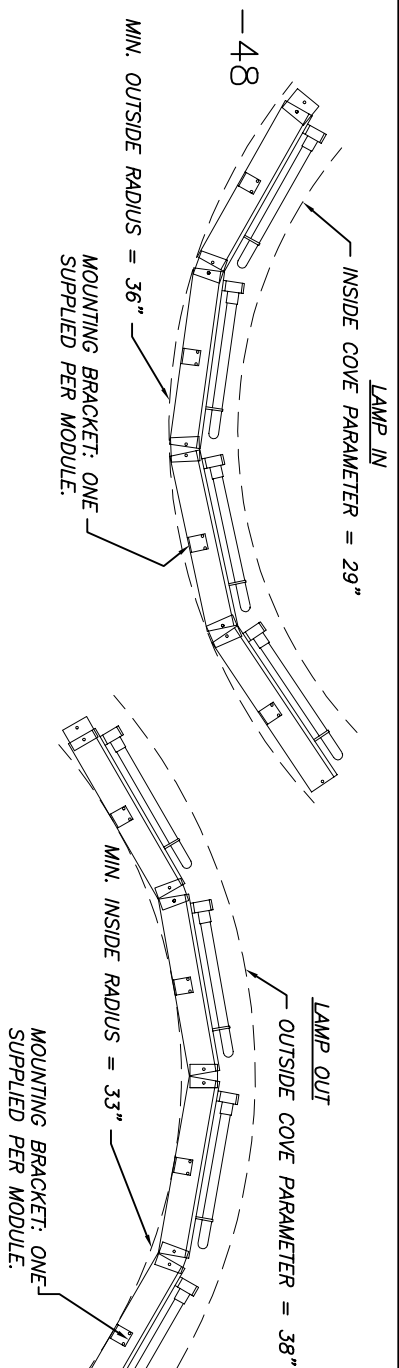
* ALL DIMENSIONS SHOWN ARE IN INCHES



division of
LIGHTING WORLD INC
1703 VALLEY ROAD
OCEAN NJ 07712
TEL (732) 493-2666
FAX (732) 493-2941

DATE: 3-19-97
SCALE: NTS
SHEET: 1 OF 1
DRAWING NUMBER: SUB\ 28501BNX
TITLE: FIXTURE #2850NX2S-18W
APPROVED: NA
STANDARD: STANDARD MODIFIED CUSTOM
REV.5

THIS DOCUMENT IS THE PROPERTY OF LIGHTING WORLD INC. NO RIGHTS ARE GRANTED FOR REPRODUCTION, DISCLOSURE, OR USE. copyright © Lighting World Inc.



- A. 12" ON CENTER LAMP SPACING
- B. COVE PARAMETERS AND RADIi CONSISTANT FOR ALL LENGTHS
- C. CONSTRUCTION: FORMED ALUMINUM
- D. FINISH: SATIN ANODIZED
- E. ALL DIMENSIONS ARE NOMINAL.
- F. LAMP LENGTHS MAY VARY FROM MANUFACTURER.
- G. SPECIAL LAMP CLIP AND MOUNTING BRACKET REQUIRED FOR LAMP DOWN CONFIGURATION. (MUST BE ORDERED SEPARATELY)
- H. FIELD CURVABLE - SHIPS STRAIGHT

2850FX2S18 IS COMPATIBLE WITH 2850NX2S18 LAMP - IN/OUT SERIES.

UL LISTED
DAMP LOCATION

ORDERING FORMAT	LAMP CONFIGURATION	LAMP	VOLTAGE	BALLAST	LENGTH
2850 linear fixture	FX2S field lamp in or out (rapid start)	<input type="checkbox"/> 18 watt compact fluorescent	<input type="checkbox"/> 120 volt <input type="checkbox"/> 277 volt	<input type="checkbox"/> H high power factor <input type="checkbox"/> E electronic	<input type="checkbox"/> 48" length (4 lamps) <input type="checkbox"/> 24" length (2 lamps) <input type="checkbox"/> 12" length (1 lamp)

choose one from each category

JOB NAME: _____

APPROVED FOR FABRICATION:
REV.8 6-30-00 DK
REV.7 6-30-99 DK

* ALL DIMENSIONS SHOWN ARE IN INCHES

division of
LIGHTING WORLD INC
1703 VALLEY ROAD
OCEAN NJ 07712
TEL (732) 493-2666
FAX (732) 493-2941

DATE: 10-4-94
SCALE: NTS
DRAWING NUMBER: SUBJ 28501BFX REV.8

TITLE: FIXTURE #2850FX2S-18W

APPROVED: NA

STANDARD: MODIFIED: CUSTOM:

THIS DOCUMENT IS THE PROPERTY OF LIGHTING WORLD INC. NO RIGHTS ARE GRANTED FOR REPRODUCTION, DISCLOSURE, OR USE.
COPYRIGHT © LIGHTING WORLD INC.