

- A. 4" ON CENTER LAMP SPACING
- B. CONSTRUCTION: FORMED ALUMINUM
- C. FINISH: SATIN ANODIZED
- D. ALL DIMENSIONS ARE NOMINAL.
- E. LAMP LENGTHS MAY VARY FROM MANUFACTURER.
- F. PLEASE ALLOW A NOMINAL 4" FOR LAMP OVERHANG.

2855NX29/13 IS COMPATIBLE WITH 2855FX29/13 LAMP - UP/DOWN SERIES.

UL LISTED
DAMP LOCATION

choose one from each category

ORDERING FORMAT					
SERIES	LAMP CONFIGURATION	LAMP	VOLTAGE	BALLAST	LENGTH
2855	NX2	9 watt compact fluorescent	120 volt	H high power factor	48" length (12 lamps)
linear fixture	seamless straight lamp up or down	13 watt compact fluorescent	277 volt		24" length (6 lamps)
					8" length (2 lamps)

JOB NAME: _____

APPROVED FOR FABRICATION: _____

REV.1 6-23-99 DK
REV.2 9-7-00 DK

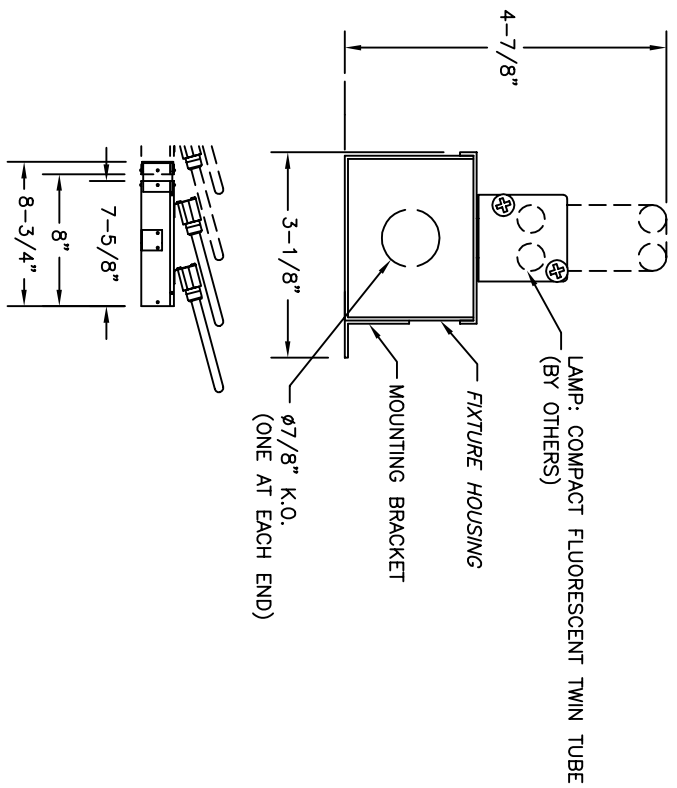
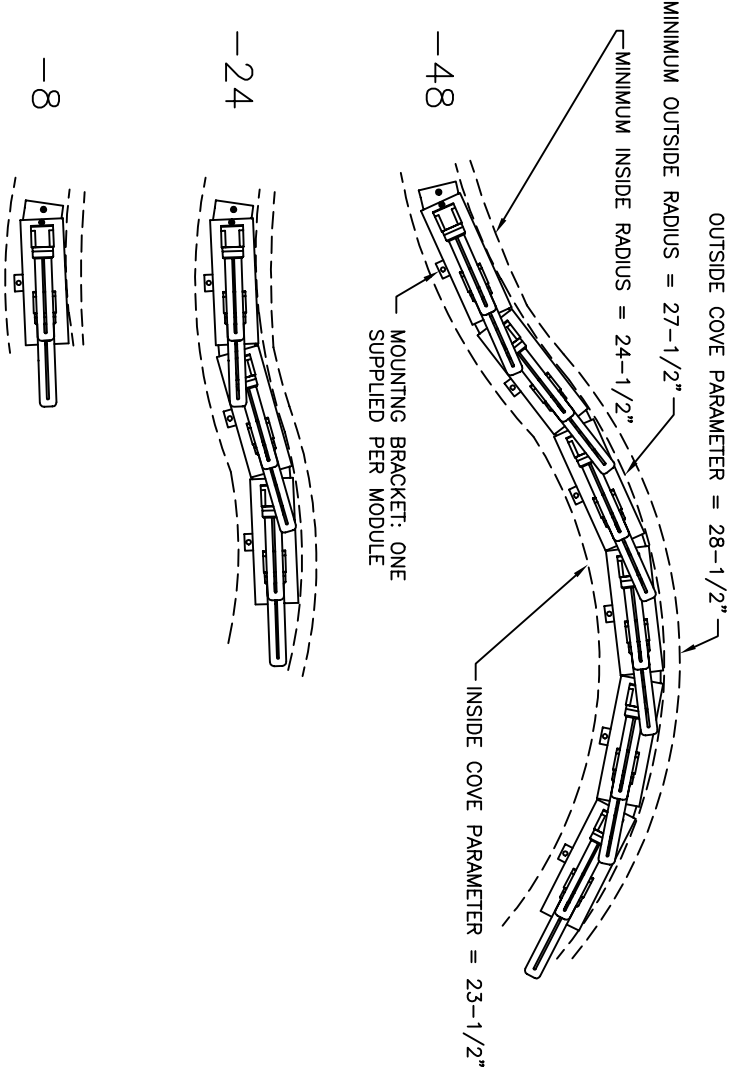
* ALL DIMENSIONS SHOWN ARE IN INCHES



division of
LIGHTING WORLD INC
1703 VALLEY ROAD
OCEAN NJ 07712
TEL (732) 493-2666
FAX (732) 493-2941

THIS DOCUMENT IS THE PROPERTY OF LIGHTING WORLD INC. NO RIGHTS ARE GRANTED FOR REPRODUCTION, DISCLOSURE, OR USE.

DATE 9-12-96
SCALE NTS
DRAWN DK
APPROVED NA
SHEET 1 OF 1
DRAWING NUMBER SUBJ 2855NX9W REV.2
STANDARD MODIFIED CUSTOM
COPYRIGHT © LIGHTING WORLD INC.



- A. 4" ON CENTER LAMP SPACING
- B. COVE PARAMETERS AND RADIi CONSISTANT FOR ALL LENGTHS
- C. CONSTRUCTION: FORMED ALUMINIUM
- D. FINISH: SATIN ANODIZED
- E. ALL DIMENSIONS ARE NOMINAL.
- F. LAMP LENGTHS MAY VARY FROM MANUFACTURER.
- G. PLEASE ALLOW A NOMINAL 4" FOR LAMP OVERHANG.
- H. FIELD CURVABLE - SHIPS STRAIGHT

2855FX29/13 IS COMPATIBLE WITH 2855NX29/13 LAMP - UP/DOWN SERIES.

UL LISTED
DAMP LOCATION

ORDERING FORMAT				choose one from each category			
SERIES	LAMP CONFIGURATION	LAMP	VOLTAGE	BALLAST	LENGTH		
2855	FX2	<input type="checkbox"/> 9 watt compact fluorescent	<input type="checkbox"/> 1 120 volt	H	<input type="checkbox"/> 48" length (12 lamps)		
linear fixture	field curvable lamp up or down	<input type="checkbox"/> 13 watt compact fluorescent	<input type="checkbox"/> 2 277 volt	high power factor	<input type="checkbox"/> 24" length (6 lamps)		
					<input type="checkbox"/> 8" length (2 lamps)		

JOB NAME: _____

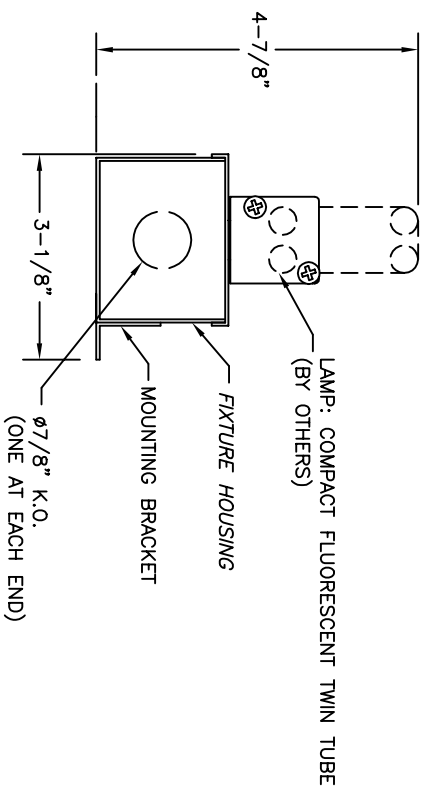
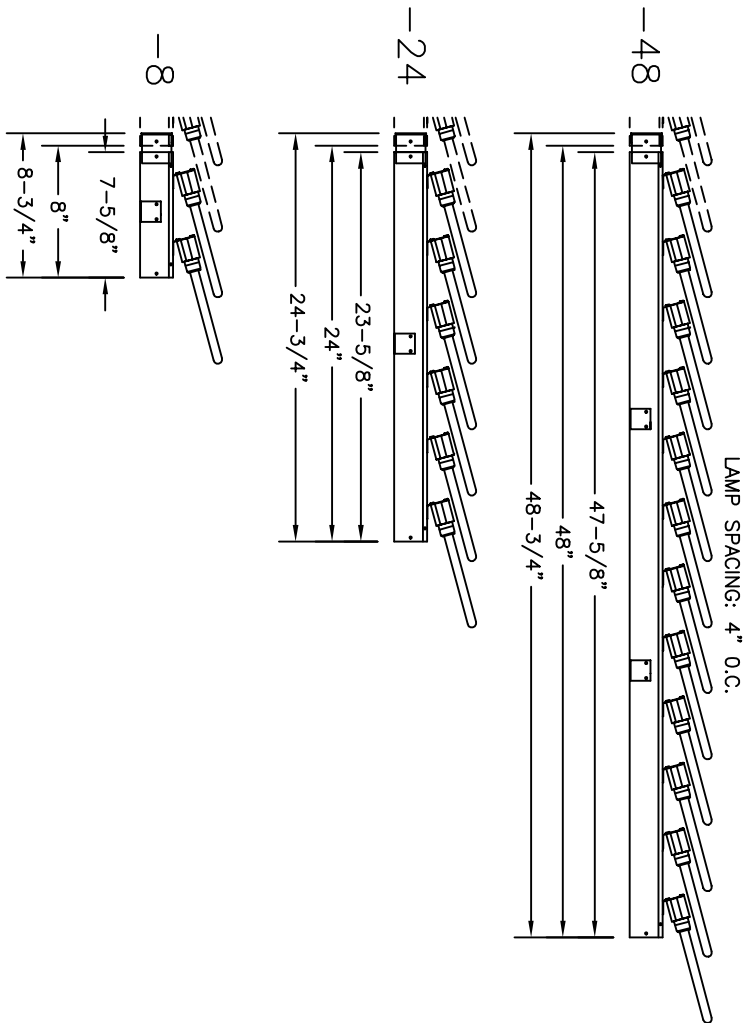
APPROVED FOR FABRICATION:
REV.3 6-24-99 DK
REV.4 9-7-00 DK

* ALL DIMENSIONS SHOWN ARE IN INCHES

division of
LIGHTING WORLD INC
1703 VALLEY ROAD
OCEAN NJ 07712
TEL (732) 493-2666
FAX (732) 493-2941

DATE	SCALE	DRAWN	APPROVED
12-29-95	N/S	CS	NA
SHEET 1 OF 1		DRAWING NUMBER	REV.4
		SUBJ	2855FX9W

THIS DOCUMENT IS THE PROPERTY OF LIGHTING WORLD INC. NO RIGHTS ARE GRANTED FOR REPRODUCTION, DISCLOSURE, OR USE. © copyright © LIGHTING WORLD INC.



- A. 4" ON CENTER LAMP SPACING
- B. CONSTRUCTION: FORMED ALUMINUM
- C. FINISH: SATIN ANODIZED
- D. ALL DIMENSIONS ARE NOMINAL.
- E. LAMP LENGTHS MAY VARY FROM MANUFACTURER.
- F. PLEASE ALLOW A NOMINAL 4" FOR LAMP OVERHANG.

2855NX2S9/13 IS COMPATIBLE WITH 2855FX2S9/13 LAMP - IN/OUT SERIES.

UL LISTED
DAMP LOCATION

ORDERING FORMAT

choose one from each category

SERIES	LAMP CONFIGURATION	LAMP	VOLTAGE	BALLAST	LENGTH
2855 linear fixture	NX2S seamless straight lamp in or out	<input type="checkbox"/> 9 watt compact fluorescent <input type="checkbox"/> 13 watt compact fluorescent	<input type="checkbox"/> 120 volt <input type="checkbox"/> 277 volt	H high power factor	<input type="checkbox"/> 48" length (12 lamps) <input type="checkbox"/> 24" length (6 lamps) <input type="checkbox"/> 8" length (2 lamps)

JOB NAME: _____

APPROVED FOR FABRICATION: _____

REV.1 6-23-99 DK
REV.2 9-7-00 DK

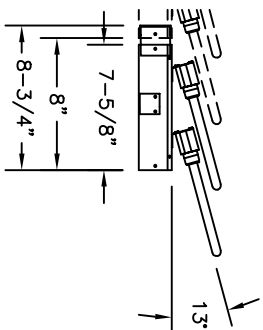
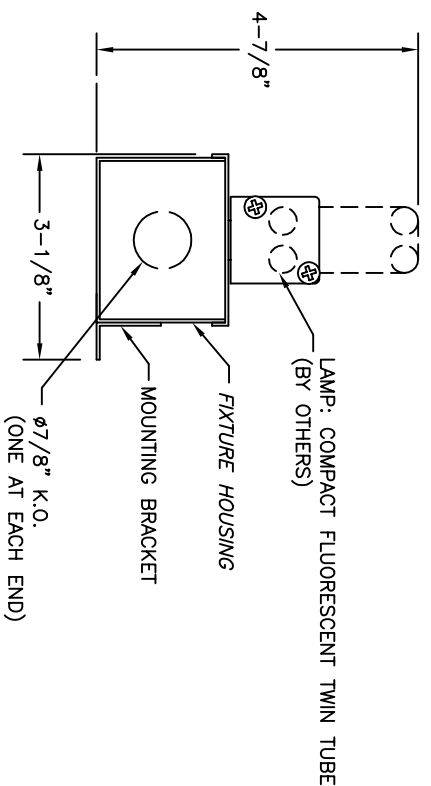
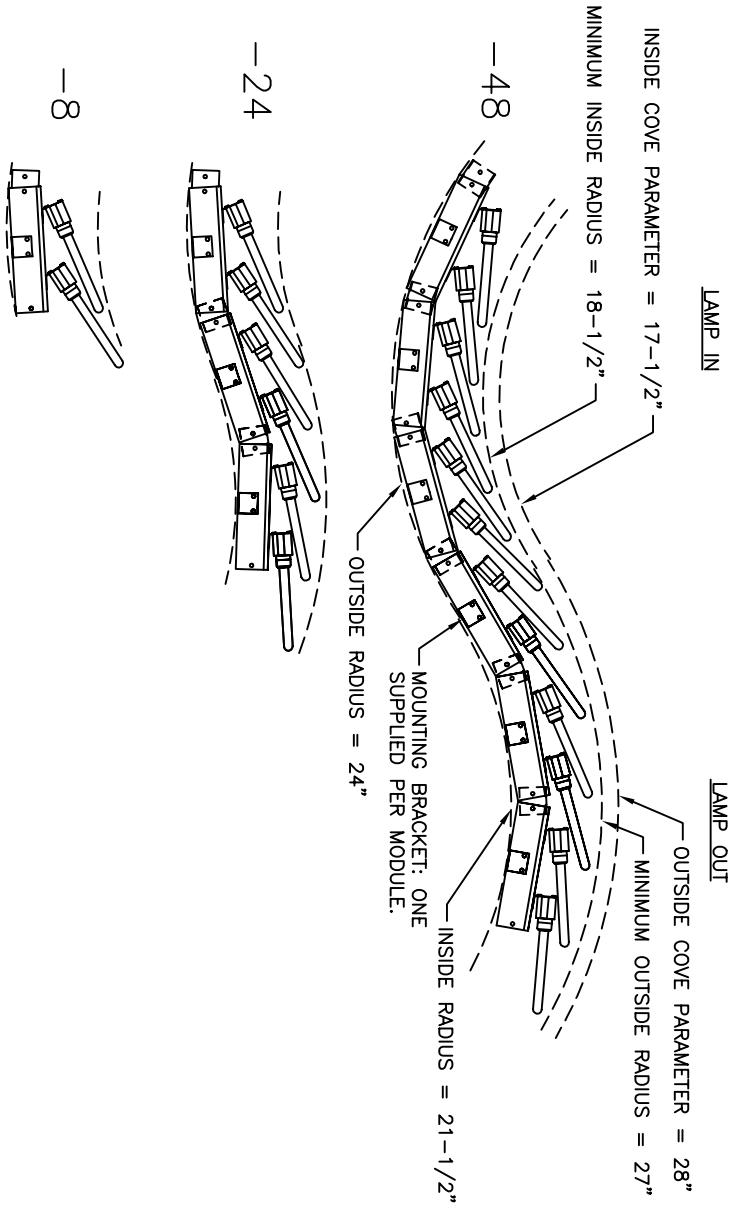
* ALL DIMENSIONS SHOWN ARE IN INCHES



division of
LIGHTING WORLD INC
1703 VALLEY ROAD
OCEAN NJ 07712
TEL (732) 493-2666
FAX (732) 493-2941

DATE 9-12-96
SCALE NTS
SHEET 1 OF 1
DRAWING NUMBER SUBJ 2855NX9S
REV.2

THIS DOCUMENT IS THE PROPERTY OF LIGHTING WORLD INC. NO RIGHTS ARE GRANTED FOR REPRODUCTION, DISCLOSURE, OR USE.
STANDARD MODIFIED CUSTOM
COPYRIGHT © LIGHTING WORLD INC.



** 2855FX2S FIXTURE PROFILE SHOWS THE OVERALL HEIGHT OF THE FIXTURE WITH THE LAMPS AT A 13° ANGLE. LAMPS ARE FIELD ADJUSTABLE TO ACHIEVE THE MINIMUM RADII SHOWN. (13W LAMPS SHOWN)

UL LISTED
DAMP LOCATION

2855FX2S9/13 IS COMPATIBLE WITH 2855NX2S9/13 LAMP - IN/OUT SERIES.

choose one from each category

ORDERING FORMAT					
SERIES	LAMP CONFIGURATION	LAMP	VOLTAGE	BALLAST	LENGTH
2855 linear fixture	FX2S field curvable lamp in or out	<input type="checkbox"/> 9 watt compact fluorescent <input type="checkbox"/> 13 watt compact fluorescent	<input type="checkbox"/> 120 volt <input type="checkbox"/> 277 volt	H high power factor	<input type="checkbox"/> 48" length (12 lamps) <input type="checkbox"/> 24" length (6 lamps) <input type="checkbox"/> 8" length (2 lamps)

- A. 4" ON CENTER LAMP SPACING
- B. COVE PARAMETERS AND RADII CONSISTANT FOR ALL LENGTHS
- C. CONSTRUCTION: FORMED ALUMINUM
- D. FINISH: SATIN ANODIZED
- E. ALL DIMENSIONS ARE NOMINAL.
- F. LAMP LENGTHS MAY VARY FROM MANUFACTURER.
- G. PLEASE ALLOW A NOMINAL 4" FOR LAMP OVERHANG.
- H. FIELD CURVABLE - SHIPS STRAIGHT

JOB NAME: _____

APPROVED FOR FABRICATION:
REV.1 6-24-99 DK
REV.2 9-7-00 DK

* ALL DIMENSIONS SHOWN ARE IN INCHES



division of
LIGHTING WORLD INC
1703 VALLEY ROAD
OCEAN NJ 07712
TEL (732) 493-2666
FAX (732) 493-2941

DATE 5-19-97 SCALE NTS DRAWN DK APPROVED NA
SHEET 1 OF 1 DRAWING NUMBER SUBJ 2855FX2S-9W 13W
STANDARD MODIFIED CUSTOM

THIS DOCUMENT IS THE PROPERTY OF LIGHTING WORLD INC. NO RIGHTS ARE GRANTED FOR REPRODUCTION, DISCLOSURE, OR USE. COPYRIGHT © LIGHTING WORLD INC.