

- A. 24" ON CENTER LAMP SPACING
  - B. CONSTRUCTION: FORMED ALUMINUM
  - C. FINISH: SATIN ANODIZED
  - D. ALL DIMENSIONS ARE NOMINAL.
  - E. LAMP LENGTHS MAY VARY FROM MANUFACTURER.
  - F. SPECIAL LAMP CLIP AND MOUNTING BRACKET REQUIRED FOR LAMP DOWN CONFIGURATION. (MUST BE ORDERED SEPARATELY)
- ORDER: P-2013-01-00

2850NX240/50 IS COMPATIBLE WITH 2850FY240/50 LAMP - UP/DOWN SERIES. **UL** LISTED DAMP LOCATION

ORDERING FORMAT	LAMP CONFIGURATION	LAMP	VOLTAGE	BALLAST	LENGTH
-----------------	--------------------	------	---------	---------	--------

2850 linear fixture	NX2 seamless straight lamp up or down	<input type="checkbox"/> 40 watt compact fluorescent <input type="checkbox"/> 50 watt compact fluorescent	<input type="checkbox"/> 120 volt <input type="checkbox"/> 277 volt	<input type="checkbox"/> H high power factor (40 watt, 48" and 24" only) <input type="checkbox"/> E electronic <input type="checkbox"/> D dimming	<input type="checkbox"/> 72" length (3 lamps, 40 watt only) <input type="checkbox"/> 48" length (2 lamps) <input type="checkbox"/> 24" length (1 lamp)
---------------------	---------------------------------------	--	--	---	--

choose one from each category

JOB NAME: \_\_\_\_\_

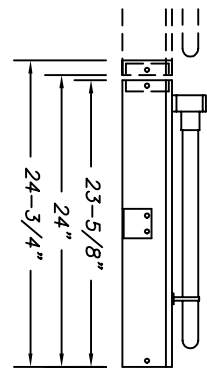
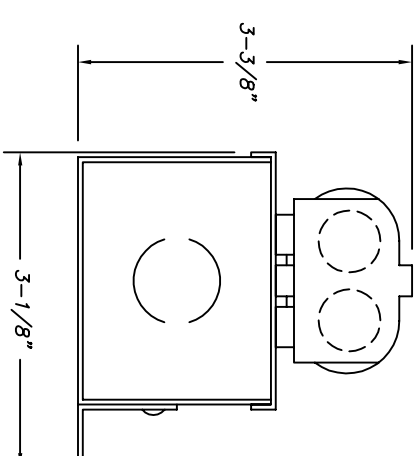
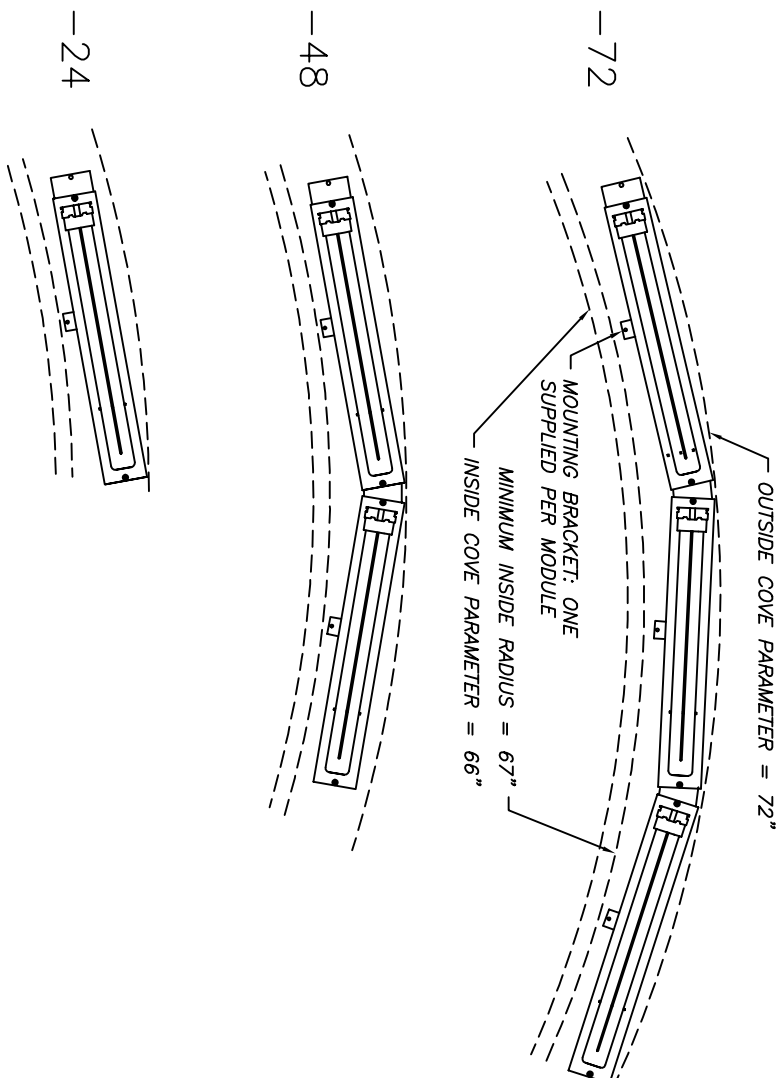
APPROVED FOR FABRICATION:  
 REV. 2 12-8-98 DK  
 REV. 3 9-21-00 DK

\* ALL DIMENSIONS SHOWN ARE IN INCHES

division of  
 LIGHTING WORLD INC  
 1703 VALLEY ROAD  
 OCEAN NJ 07712  
 TEL (732) 493-2666  
 FAX (732) 493-2941

DATE	3-6-97	SCALE	NTS	DRAWN	DK	APPROVED	NA
SHEET	1 OF 1	DRAWING NUMBER	SUBJ	2850NX40	REV.	3	

THIS DOCUMENT IS THE PROPERTY OF LIGHTING WORLD INC. NO RIGHTS ARE GRANTED FOR REPRODUCTION, DISCLOSURE, OR USE. COPYRIGHT © LIGHTING WORLD INC.



- A. 20" ON CENTER LAMP SPACING
- B. COVE PARAMETERS AND RADIUS CONSISTANT FOR ALL LENGTHS
- C. CONSTRUCTION: FORMED ALUMINUM
- D. FINISH: SATIN ANODIZED
- E. ALL DIMENSIONS ARE NOMINAL.
- F. LAMP LENGTHS MAY VARY FROM MANUFACTURER.
- G. SPECIAL LAMP CLIP AND MOUNTING BRACKET REQUIRED FOR LAMP DOWN CONFIGURATION. (MUST BE ORDERED SEPARATELY)
- H. FIELD CURVABLE - SHIPS STRAIGHT

JOB NAME: \_\_\_\_\_

2850FX240/50 IS COMPATIBLE WITH 2850NX240/50 LAMP - UP/DOWN SERIES.

LISTED  
DAMP LOCATION

ORDERING FORMAT		LAMP CONFIGURATION		LAMP		VOLTAGE		BALLAST		LENGTH	
2850	linear	FX2	seamless straight lamp up or down	<input type="checkbox"/> 40	40 watt compact fluorescent	<input type="checkbox"/> 1	120 volt	<input type="checkbox"/> H	high power factor (40 watt, 48" and 24" only)	<input type="checkbox"/> 72	72" length (3 lamps, 40 watt only)
				<input type="checkbox"/> 50	50 watt compact fluorescent	<input type="checkbox"/> 2	277 volt	<input type="checkbox"/> E	electronic	<input type="checkbox"/> 48	48" length (2 lamps)
								<input type="checkbox"/> D	dimming	<input type="checkbox"/> 24	24" length (1 lamp)

choose one from each category

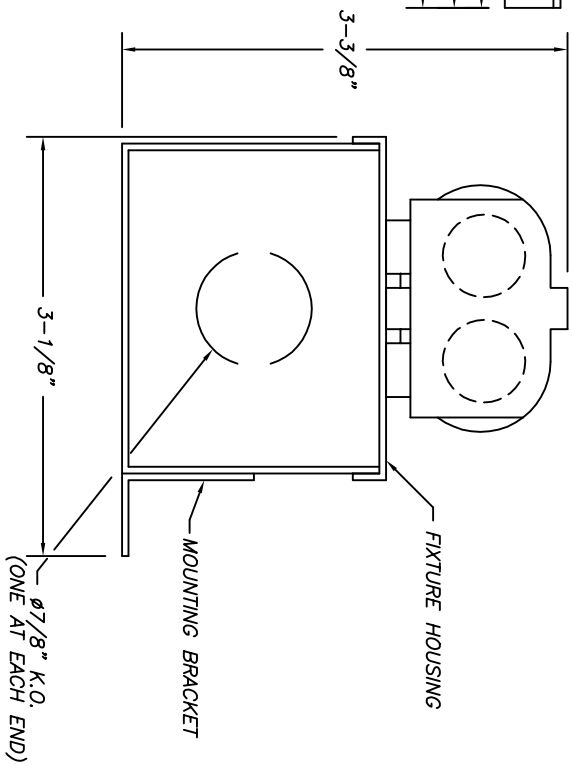
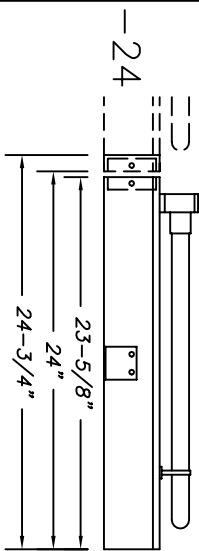
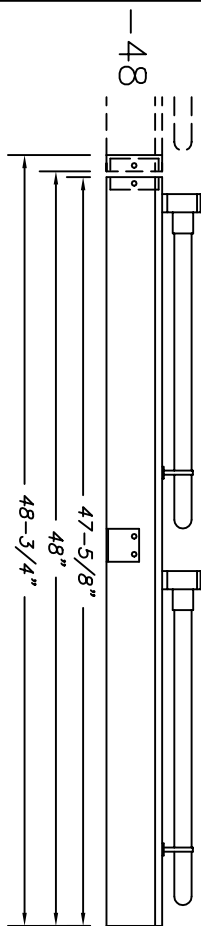
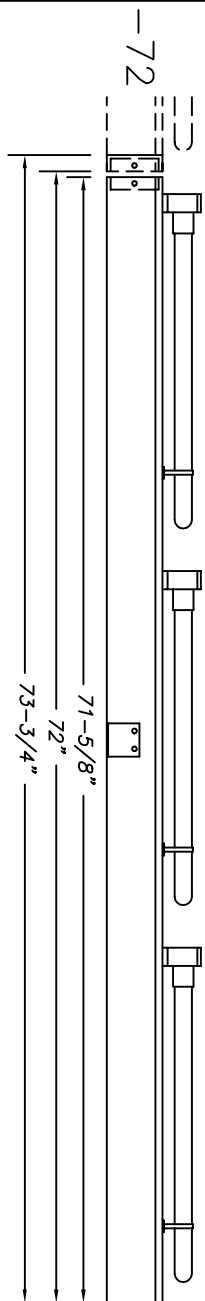
APPROVED FOR FABRICATION:  
REV.8 12-7-98 DK  
REV.9 7-8-99 DK  
REV.10 9-21-00 DK

\* ALL DIMENSIONS SHOWN ARE IN INCHES

division of  
LIGHTING WORLD INC  
1703 VALLEY ROAD  
OCEAN NJ 07712  
TEL (732) 493-2666  
FAX (732) 493-2941

TITLE	DATE	SCALE	DRAWN	APPROVED
FIXTURE #2850FX2-40/50W	10-4-94	NTS	DK	NA
SHEET 1 OF 1		DRAWING NUMBER	SUBJ	REV.10
			2850FX40	

THIS DOCUMENT IS THE PROPERTY OF LIGHTING WORLD INC. NO RIGHTS ARE GRANTED FOR REPRODUCTION, DISCLOSURE, OR USE. COPYRIGHT © LIGHTING WORLD INC.



- A. 24" ON CENTER LAMP SPACING
  - B. CONSTRUCTION: FORMED ALUMINUM
  - C. FINISH: SATIN ANODIZED
  - D. ALL DIMENSIONS ARE NOMINAL.
  - E. LAMP LENGTHS MAY VARY FROM MANUFACTURER.
  - F. SPECIAL LAMP CLIP AND MOUNTING BRACKET REQUIRED FOR LAMP DOWN CONFIGURATION. (MUST BE ORDERED SEPARATELY)
- ORDER: P-2013-01-00

2850NX2S40/50 IS COMPATIBLE WITH 2850FX2S40/50 LAMP - IN/OUT SERIES. **UL** LISTED DAMP LOCATION

ORDERING FORMAT	LAMP CONFIGURATION	LAMP	VOLTAGE	BALLAST	LENGTH
-----------------	--------------------	------	---------	---------	--------

2850 linear fixture	NX2S seamless straight lamp in or out	<input type="checkbox"/> 40 watt compact fluorescent <input type="checkbox"/> 50 watt compact fluorescent	<input type="checkbox"/> 120 volt <input type="checkbox"/> 277 volt	<input type="checkbox"/> H high power factor (40 watt, 48" and 24" only) <input type="checkbox"/> E electronic <input type="checkbox"/> D dimming	<input type="checkbox"/> 72" length (3 lamps, 40 watt only) <input type="checkbox"/> 48" length (2 lamps) <input type="checkbox"/> 24" length (1 lamp)
---------------------	---------------------------------------	--	--	---	--

choose one from each category

JOB NAME: \_\_\_\_\_

APPROVED FOR FABRICATION: \_\_\_\_\_

REV.1 12-8-98 DK  
REV.2 9-21-00 DK

\* ALL DIMENSIONS SHOWN ARE IN INCHES

division of  
LIGHTING WORLD INC  
1703 VALLEY ROAD  
OCEAN NJ 07712  
TEL (732) 493-2666  
FAX (732) 493-2941

DATE: 3-11-97  
SCALE: NTS  
SHEET: 1 OF 1

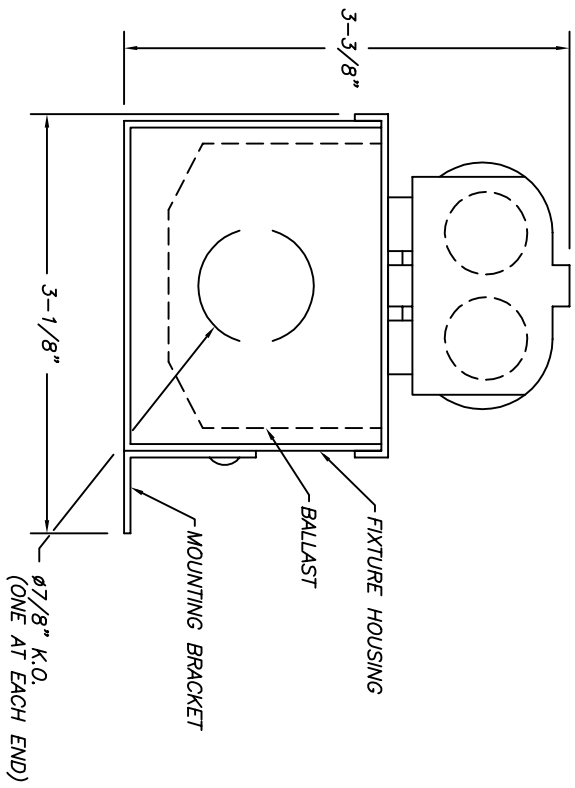
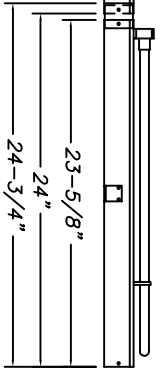
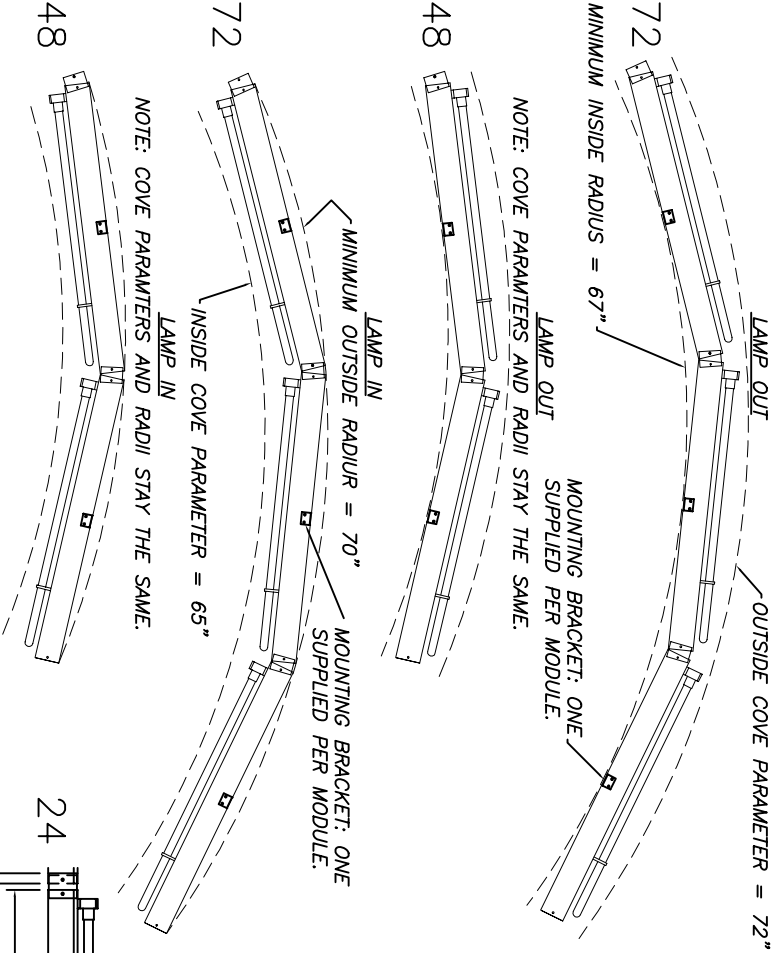
FIXTURE #2850NX2S-40W/50W  
SUBJ: 285040NX

DATE: 3-11-97  
SCALE: NTS  
SHEET: 1 OF 1

APPROVED: NA  
REV.2

STANDARD  
MODIFIED  
CUSTOM

THIS DOCUMENT IS THE PROPERTY OF LIGHTING WORLD INC. NO RIGHTS ARE GRANTED FOR REPRODUCTION, DISCLOSURE, OR USE.



- A. CONSTRUCTION: FORMED ALUMINUM
  - B. COVE PARAMETERS AND RADII CONSISTANT FOR ALL LENGTHS
  - C. FINISH: SATIN ANODIZED
  - D. ALL DIMENSIONS ARE NOMINAL.
  - E. LAMP LENGTHS MAY VARY FROM MANUFACTURER.
  - F. PLEASE ALLOW A NOMINAL 4" FOR LAMP OVERHANG.
  - G. SPECIAL LAMP CLIP AND MOUNTING BRACKET REQUIRED FOR LAMP DOWN CONFIGURATION. (MUST BE ORDERED SEPARATELY)
- ORDER: P-2013-01-00

2850FX2S40/50 IS COMPATIBLE WITH 2850NX2S40/50 LAMP - IN/OUT SERIES.



ORDERING FORMAT	LAMP CONFIGURATION	LAMP	VOLTAGE	BALLAST	LENGTH
2850	FX2S	<input type="checkbox"/> 40 watt compact fluorescent	<input type="checkbox"/> 120 volt	<input type="checkbox"/> H high power factor (40 watt, 48" and 24" only)	<input type="checkbox"/> 72" length (3 lamps, 40 watt only)
linear fixture	field in or out	<input type="checkbox"/> 50 watt compact fluorescent	<input type="checkbox"/> 277 volt	<input type="checkbox"/> E electronic	<input type="checkbox"/> 48" length (2 lamps)
				<input type="checkbox"/> D dimming	<input type="checkbox"/> 24" length (1 lamp)

choose one from each category

JOB NAME: \_\_\_\_\_

APPROVED FOR FABRICATION:  
REV.4 7-8-99 DK  
REV.5 9-22-00 DK

\* ALL DIMENSIONS SHOWN ARE IN INCHES



division of  
LIGHTING WORLD INC  
1703 VALLEY ROAD  
OCEAN NJ 07712  
TEL (732) 493-2666  
FAX (732) 493-2941

THIS DOCUMENT IS THE PROPERTY OF LIGHTING WORLD INC. NO RIGHTS ARE GRANTED FOR REPRODUCTION, DISCLOSURE, OR USE.

DATE: 1-18-97  
SCALE: NTS  
DRAWN: DK  
APPROVED: NA

TITLE: FIXTURE #2850FX2S40W/50W  
SHEET: 1 OF 1  
DRAWING NUMBER: SUBJ\ 285040FX REV.5

STANDARD  MODIFIED  CUSTOM

copyright © Lighting World Inc.