

- A. 18" ON CENTER LAMP SPACING
 - B. CONSTRUCTION: FORMED ALUMINUM
 - C. FINISH: SATIN ANODIZED
 - D. ALL DIMENSIONS ARE NOMINAL.
 - E. LAMP LENGTHS MAY VARY FROM MANUFACTURER.
 - F. SPECIAL LAMP CLIP AND MOUNTING BRACKET REQUIRED FOR LAMP DOWN CONFIGURATION. (MUST BE ORDERED SEPARATELY)
- ORDER: P-2013-01-00

2850NX239 IS COMPATIBLE WITH 2850FX239 LAMP - UP/DOWN SERIES.

LISTED
DAMP LOCATION

ORDERING FORMAT: choose one from each category

SERIES	LAMP CONFIGURATION	LAMP	VOLTAGE	BALLAST	LENGTH
2850 linear fixture	NX2 seamless straight lamp up or down	<input type="checkbox"/> 39 watt compact fluorescent	<input type="checkbox"/> 120 volt <input type="checkbox"/> 277 volt	<input type="checkbox"/> H high power factor (36" AND 18" only) <input type="checkbox"/> E electronic <input type="checkbox"/> D dimming	<input type="checkbox"/> 54" length (3 lamps) <input type="checkbox"/> 36" length (2 lamps) <input type="checkbox"/> 18" length (1 lamp)

JOB NAME: _____

APPROVED FOR FABRICATION: _____

REV.1 7-8-98 DK
REV.2 12-9-98 DK
REV.3 11-30-00 DK

* ALL DIMENSIONS SHOWN ARE IN INCHES

division of
LIGHTING WORLD INC
1703 VALLEY ROAD
OCEAN NJ 07712
TEL (732) 493-2666
FAX (732) 493-2941

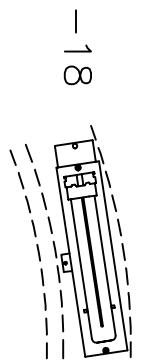
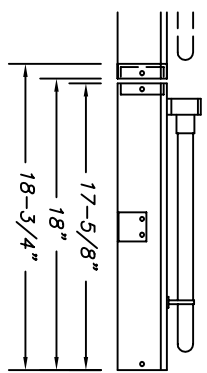
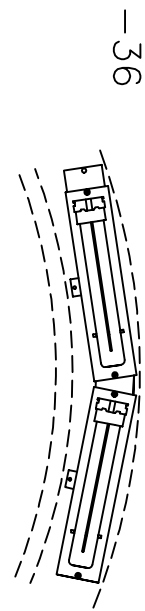
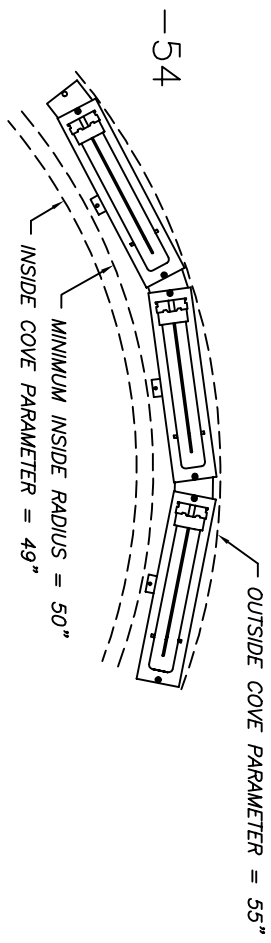
DATE: 3-19-97 SCALE: NTS DRAWN: DK APPROVED: NA

SHEET: 1 OF 1 DRAWING NUMBER: SUBJ: 2850NX39 REV.3

FIXTURE #2850NX2-39W

THIS DOCUMENT IS THE PROPERTY OF LIGHTING WORLD INC. NO RIGHTS ARE GRANTED FOR REPRODUCTION, DISCLOSURE, OR USE. STANDARD MODIFIED CUSTOM

copyright © Lighting World Inc.

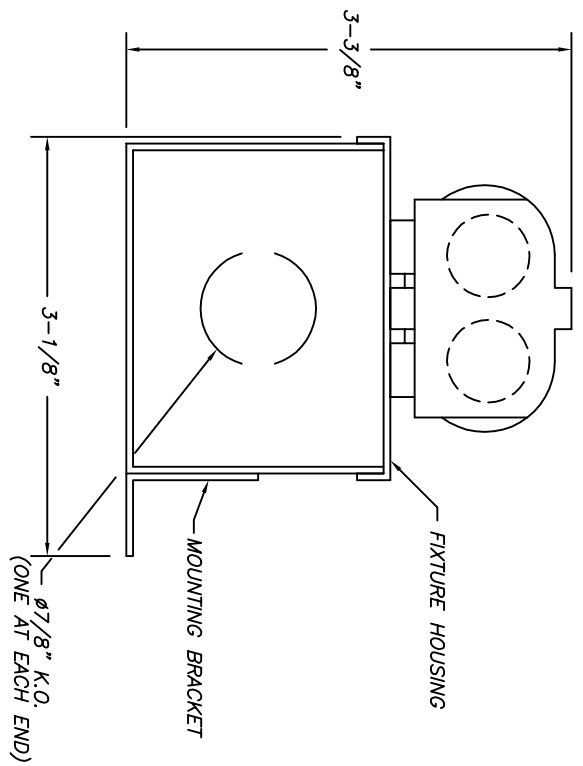


2850FX239 IS COMPATIBLE WITH 2850NX239 LAMP - UP/DOWN SERIES.

UL LISTED
DAMP LOCATION

ORDERING FORMAT: choose one from each category

SERIES	LAMP CONFIGURATION	LAMP	VOLTAGE	BALLAST	LENGTH
2850 linear fixture	FX2 field curvable lamp up or down	<input type="checkbox"/> 39 39 watt compact fluorescent	<input type="checkbox"/> 1 120 volt <input type="checkbox"/> 2 277 volt	<input type="checkbox"/> H high power factor (36" AND 18" only) <input type="checkbox"/> E electronic <input type="checkbox"/> D dimming	<input type="checkbox"/> 54 54" length (3 lamps) <input type="checkbox"/> 36 36" length (2 lamps) <input type="checkbox"/> 18 18" length (1 lamp)



- A. 18" ON CENTER LAMP SPACING
- B. COVE PARAMETERS AND RADI RADI CONSISTANT FOR ALL LENGTHS
- C. CONSTRUCTION: FORMED ALUMINUM
- D. FINISH: SATIN ANODIZED
- E. ALL DIMENSIONS ARE NOMINAL.
- F. LAMP LENGTHS MAY VARY FROM MANUFACTURER.
- G. SPECIAL LAMP CLIP AND MOUNTING BRACKET REQUIRED FOR LAMP DOWN CONFIGURATION. (MUST BE ORDERED SEPARATELY)
- H. FIELD CURVABLE - SHIPS STRAIGHT

JOB NAME: _____

APPROVED FOR FABRICATION: _____

REV.5 2-11-97 DK
REV.6 6-30-99 DK
REV.7 12-1-00 DK

* ALL DIMENSIONS SHOWN ARE IN INCHES



division of
LIGHTING WORLD INC
1703 VALLEY ROAD
OCEAN NJ 07712
TEL (732) 493-2666
FAX (732) 493-2941

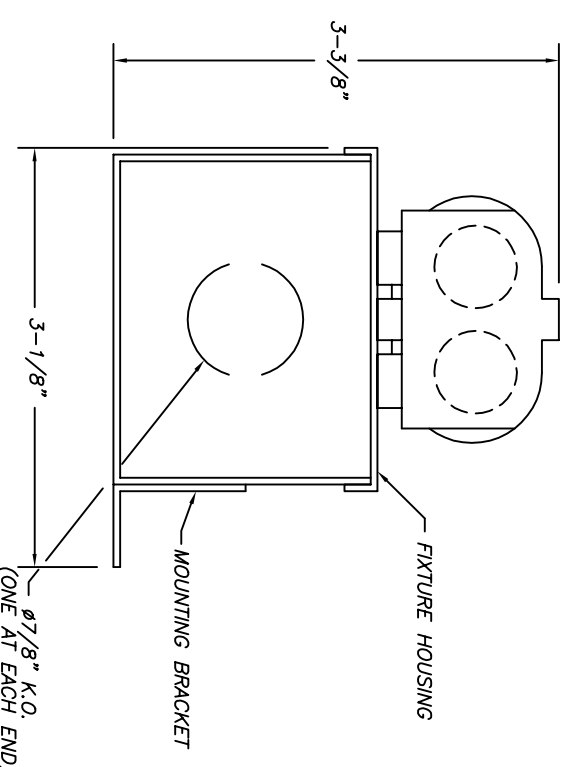
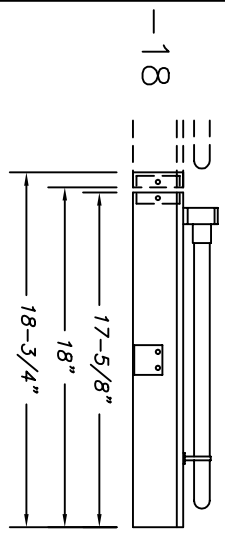
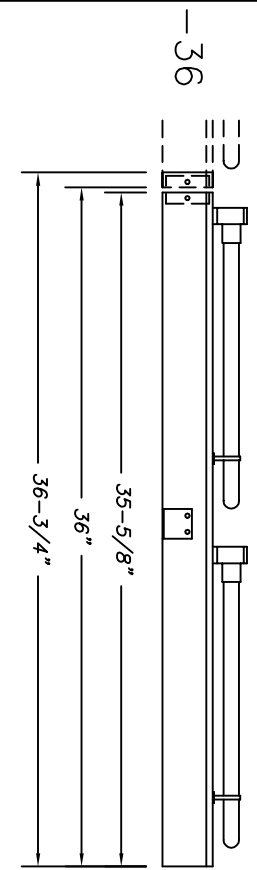
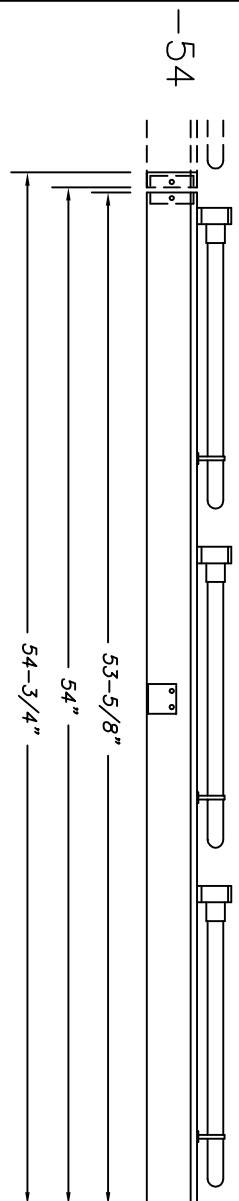
TITLE: FIXTURE #2850FX2-39W

DATE: 9-15-95 SCALE: NTS DRAWN: SS APPROVED: NA

SHEET: 1 OF 1 DRAWING NUMBER: 2850FX39 REV.7

STANDARD MODIFIED CUSTOM

THIS DOCUMENT IS THE PROPERTY OF LIGHTING WORLD INC. NO RIGHTS ARE GRANTED FOR REPRINTION DISCLOSURE OR USE



- A. 18" ON CENTER LAMP SPACING
 - B. CONSTRUCTION: FORMED ALUMINUM
 - C. FINISH: SATIN ANODIZED
 - D. ALL DIMENSIONS ARE NOMINAL.
 - E. LAMP LENGTHS MAY VARY FROM MANUFACTURER.
 - F. SPECIAL LAMP CLIP AND MOUNTING BRACKET REQUIRED FOR LAMP DOWN CONFIGURATION. (MUST BE ORDERED SEPARATELY)
- ORDER: P-2013-01-00

2850NX2S39 IS COMPATIBLE WITH 2850FX2S39 LAMP - IN/OUT SERIES.

UL LISTED
DAMP LOCATION

ORDERING FORMAT		choose one from each category			
SERIES	LAMP CONFIGURATION	LAMP	VOLTAGE	BALLAST	LENGTH
2850	NX2S	<input type="checkbox"/> 39 39watt compact fluorescent	<input type="checkbox"/> 1 120 volt	<input type="checkbox"/> H high power factor (36" and 18" only)	<input type="checkbox"/> 54 54" length (3 lamps,
linear fixture	seamless straight lamp in or out	<input type="checkbox"/> 2 277 volt	<input type="checkbox"/> 2 277 volt	<input type="checkbox"/> E electronic	<input type="checkbox"/> 36 36" length (2 lamps)
				<input type="checkbox"/> D dimming	<input type="checkbox"/> 18 18" length (1 lamp)

JOB NAME: _____

APPROVED FOR FABRICATION:
REV.1 7-8-99 DK
REV.2 9-26-00 DK

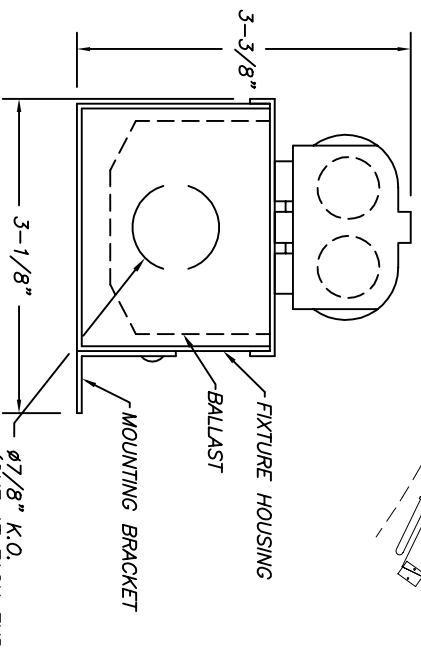
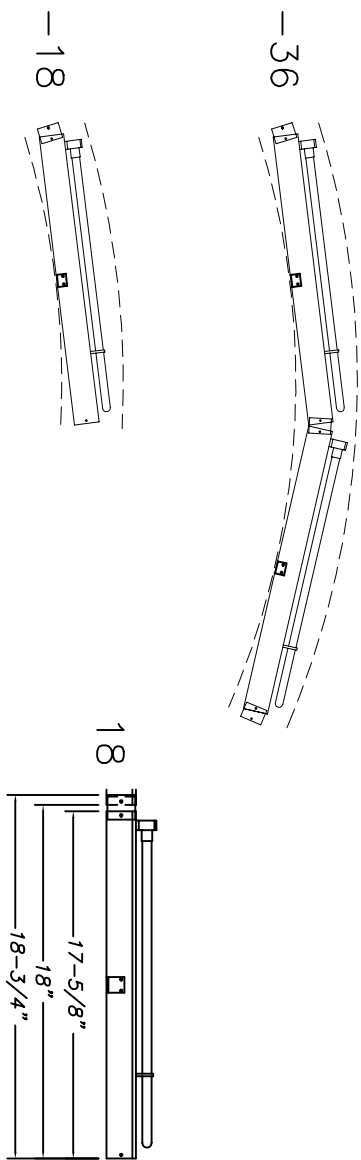
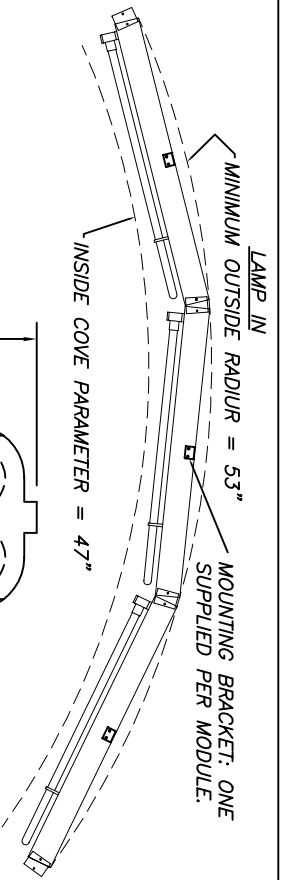
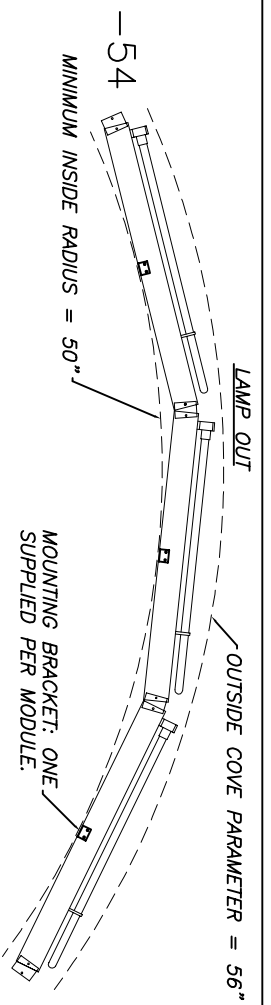
* ALL DIMENSIONS SHOWN ARE IN INCHES

BELFER division of LIGHTING WORLD INC
1703 VALLEY ROAD
OCEAN, NJ 07712
TEL (732) 493-2666
FAX (732) 493-2941

TITLE: FXTURE #2850NX2S-39W
DATE: 1-18-97
SCALE: NTS
SHEET: 1 OF 1
DRAWING NUMBER: SUB/ 285039NX
REV.2

THIS DOCUMENT IS THE PROPERTY OF LIGHTING WORLD INC. NO RIGHTS ARE GRANTED FOR REPRODUCTION, DISCLOSURE, OR USE.

STANDARD MODIFIED CUSTOM
APPROVED NA
COPYRIGHT © LIGHTING WORLD INC.



- A. 18" ON CENTER LAMP SPACING
- B. COVE PARAMETERS AND RADIUS CONSISTANT FOR ALL LENGTHS
- C. CONSTRUCTION: FORMED ALUMINUM
- D. FINISH: SATIN ANODIZED
- E. ALL DIMENSIONS ARE NOMINAL.
- F. LAMP LENGTHS MAY VARY FROM MANUFACTURER.
- G. SPECIAL LAMP CLIP AND MOUNTING BRACKET REQUIRED FOR LAMP DOWN CONFIGURATION. (MUST BE ORDERED SEPARATELY)
- H. FIELD CURVABLE - SHIPS STRAIGHT

2850FX2S39 IS COMPATIBLE WITH 2850NX2S39 LAMP - IN/OUT SERIES.



ORDERING FORMAT: choose one from each category

SERIES	LAMP CONFIGURATION	LAMP	VOLTAGE	BALLAST	LENGTH
2850 linear fixture	FX2S seamless straight lamp in or out	<input type="checkbox"/> 39 39watt compact fluorescent	<input type="checkbox"/> 1 120 volt <input type="checkbox"/> 2 277 volt	<input type="checkbox"/> H high power factor (36" and 18" only) <input type="checkbox"/> E electronic <input type="checkbox"/> D dimming	<input type="checkbox"/> 54 54" length (3 lamps, 36" length (2 lamps) <input type="checkbox"/> 18 18" length (1 lamp)

JOB NAME: _____

APPROVED FOR FABRICATION: _____
 REV.5 9-26-00 DK
 REV.6 12-7-00 DK

* ALL DIMENSIONS SHOWN ARE IN INCHES

division of
 LIGHTING WORLD INC
 1703 VALLEY ROAD
 OCEAN NJ 07712
 TEL (732) 493-2666
 FAX (732) 493-2941

DATE: 1-18-97 SCALE: NTS DRAWN: DK APPROVED: NA
 SHEET: 1 OF 1 DRAWING NUMBER: SUBJ: 285039FX REV.6

FIXTURE #2850FX2S-39W

THIS DOCUMENT IS THE PROPERTY OF LIGHTING WORLD INC. NO RIGHTS ARE GRANTED FOR REPRODUCTION, DISCLOSURE, OR USE. STANDARD MODIFIED CUSTOM

COPYRIGHT © LIGHTING WORLD INC.