

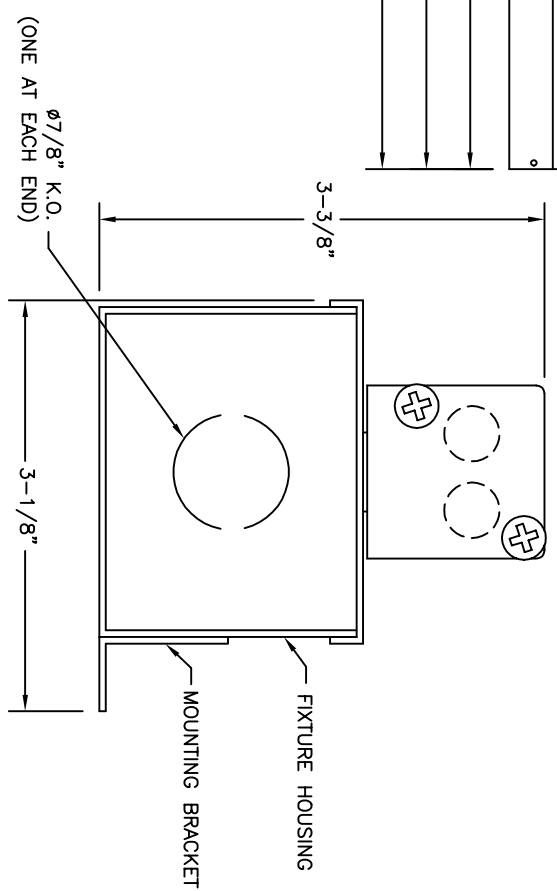
2801NX29/13 IS COMPATIBLE WITH 2801FX29/13 LAMP - UP/DOWN SERIES.



| ORDERING FORMAT | LAMP CONFIGURATION | LAMP | VOLTAGE | BALLAST | LENGTH |
|-----------------|--------------------|------|---------|---------|--------|
|-----------------|--------------------|------|---------|---------|--------|

choose one from each category

| | | | | | |
|---------------------|---------------------------------------|---|--|--|---|
| 2801 linear fixture | NX2 seamless straight lamp up or down | <input type="checkbox"/> 9 watt compact fluorescent <input type="checkbox"/> 13 watt compact fluorescent (lamp out only) | <input type="checkbox"/> 120 volt <input type="checkbox"/> 277 volt | <input type="checkbox"/> H high power factor | <input type="checkbox"/> 48" length (6 lamps) <input type="checkbox"/> 24" length (3 lamps) <input type="checkbox"/> 8" length (1 lamp) |
|---------------------|---------------------------------------|---|--|--|---|



- A. 8" ON CENTER LAMP SPACING
- B. CONSTRUCTION: FORMED ALUMINUM
- C. FINISH: SATIN ANODIZED
- D. ALL DIMENSIONS ARE NOMINAL.
- E. LAMP LENGTHS MAY VARY FROM MANUFACTURER.

JOB NAME: _____

APPROVED FOR FABRICATION: _____
 REV.3 11-24-98 DK
 REV.4 01-08-01 DK

* ALL DIMENSIONS SHOWN ARE IN INCHES

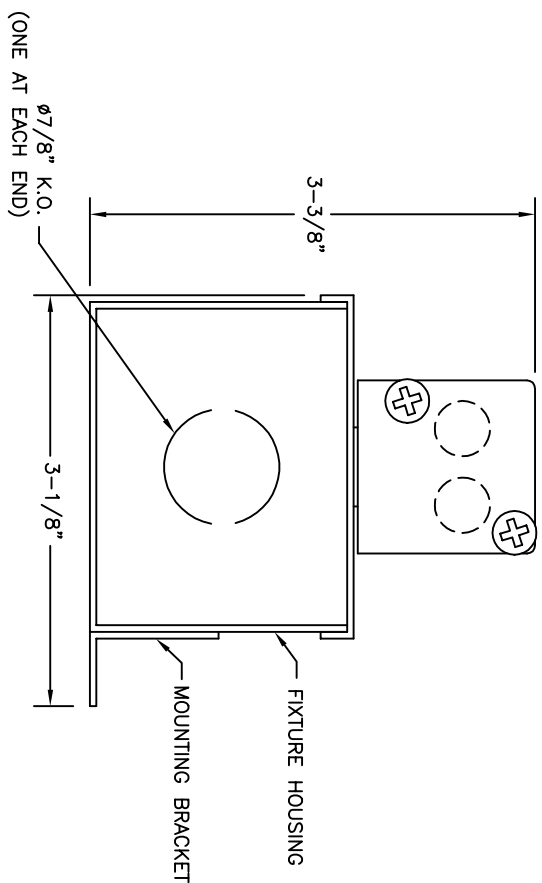
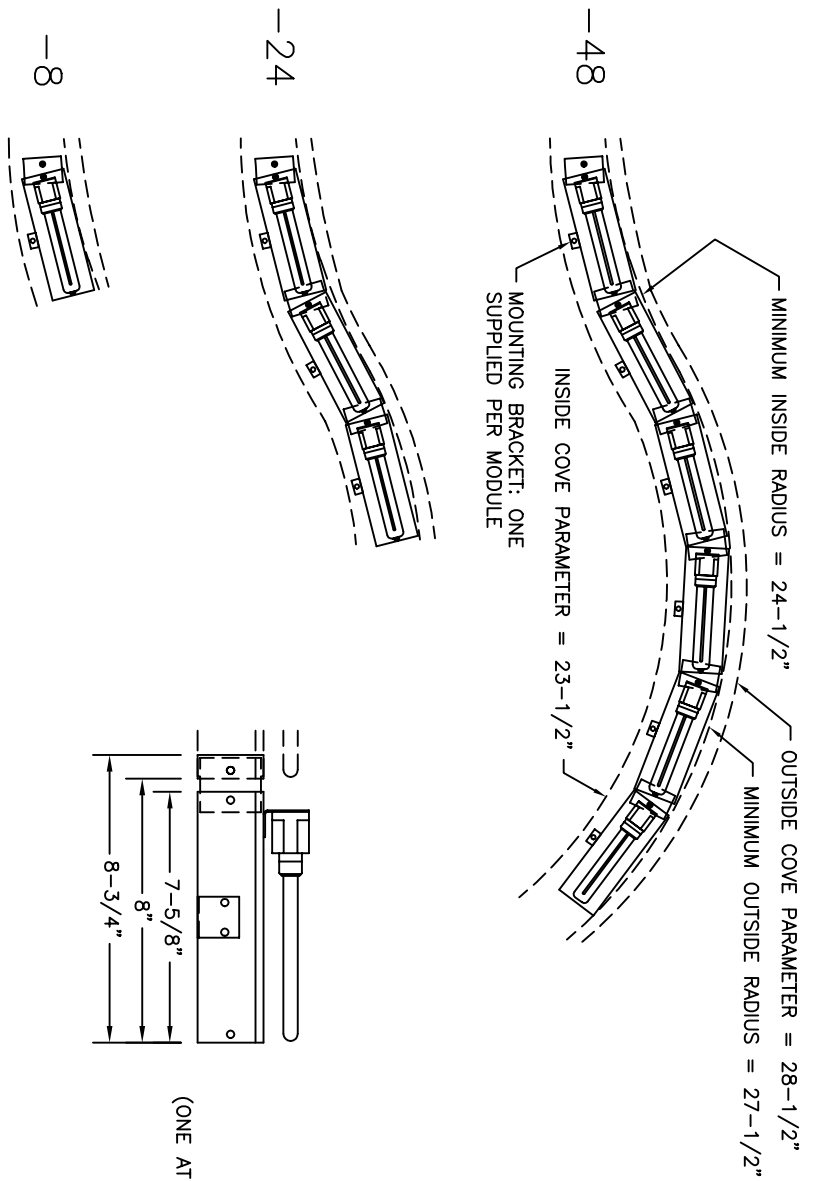
division of
LIGHTING WORLD INC
 1703 VALLEY ROAD
 OCEAN NJ 07712
 TEL (732) 493-2666
 FAX (732) 493-2941

DATE: 9-23-96
 SCALE: NTS
 SHEET: 1 OF 1
 DRAWING NUMBER: SUB\ 2801NX2
 TITLE: FIXTURE #2801NX2-9W/13W
 DRAWN: DK
 APPROVED: NA

THIS DOCUMENT IS THE PROPERTY OF LIGHTING WORLD INC. NO RIGHTS ARE GRANTED FOR REPRODUCTION, DISCLOSURE, OR USE.

STANDARD MODIFIED CUSTOM

REV.4
 copyright © Lighting World Inc.



- A. 8" ON CENTER LAMP SPACING
- B. COVE PARAMETERS AND RADI CONSTANT FOR ALL LENGTHS
- C. CONSTRUCTION: FORMED ALUMINIUM
- D. FINISH: SATIN ANODIZED
- E. ALL DIMENSIONS ARE NOMINAL.
- F. LAMP LENGTHS MAY VARY FROM MANUFACTURER

2801FX29/13 IS COMPATIBLE WITH 2801NX29/13 LAMP - UP/DOWN SERIES.

UL LISTED
DAMP LOCATION

choose one from each category

| ORDERING SERIES | LAMP CONFIGURATION | LAMP | VOLTAGE | BALLAST | LENGTH |
|-----------------|-----------------------------------|--|-----------------------------------|--|---|
| 2801 | linear fixture | <input type="checkbox"/> 9 watt compact fluorescent | <input type="checkbox"/> 120 volt | <input type="checkbox"/> H high power factor | <input type="checkbox"/> 48" length (6 lamps) |
| | seamless straight lamp up or down | <input type="checkbox"/> 13 watt compact fluorescent | <input type="checkbox"/> 277 volt | | <input type="checkbox"/> 24" length (3 lamps) |
| | | | | | <input type="checkbox"/> 8" length (1 lamp) |

JOB NAME: _____

APPROVED FOR FABRICATION:
REV.10 2-7-00 DK
REV.11 1-11-01 DK

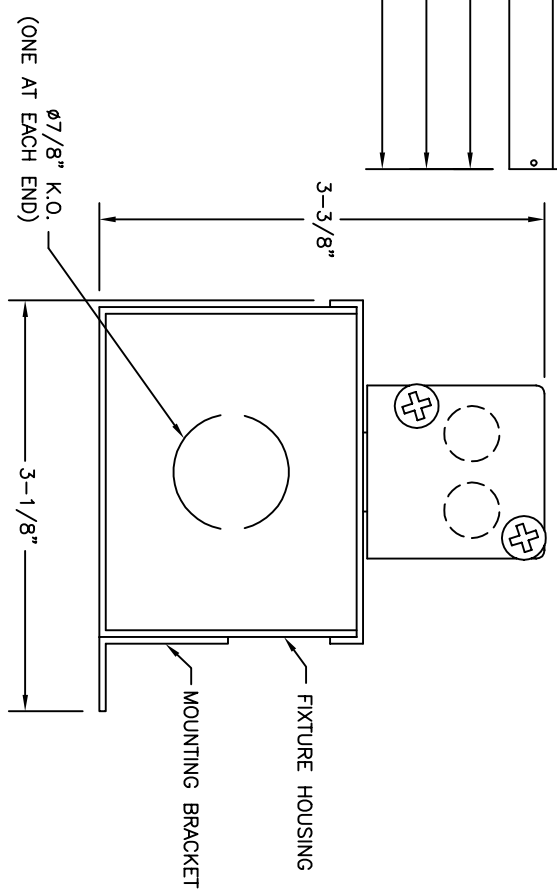
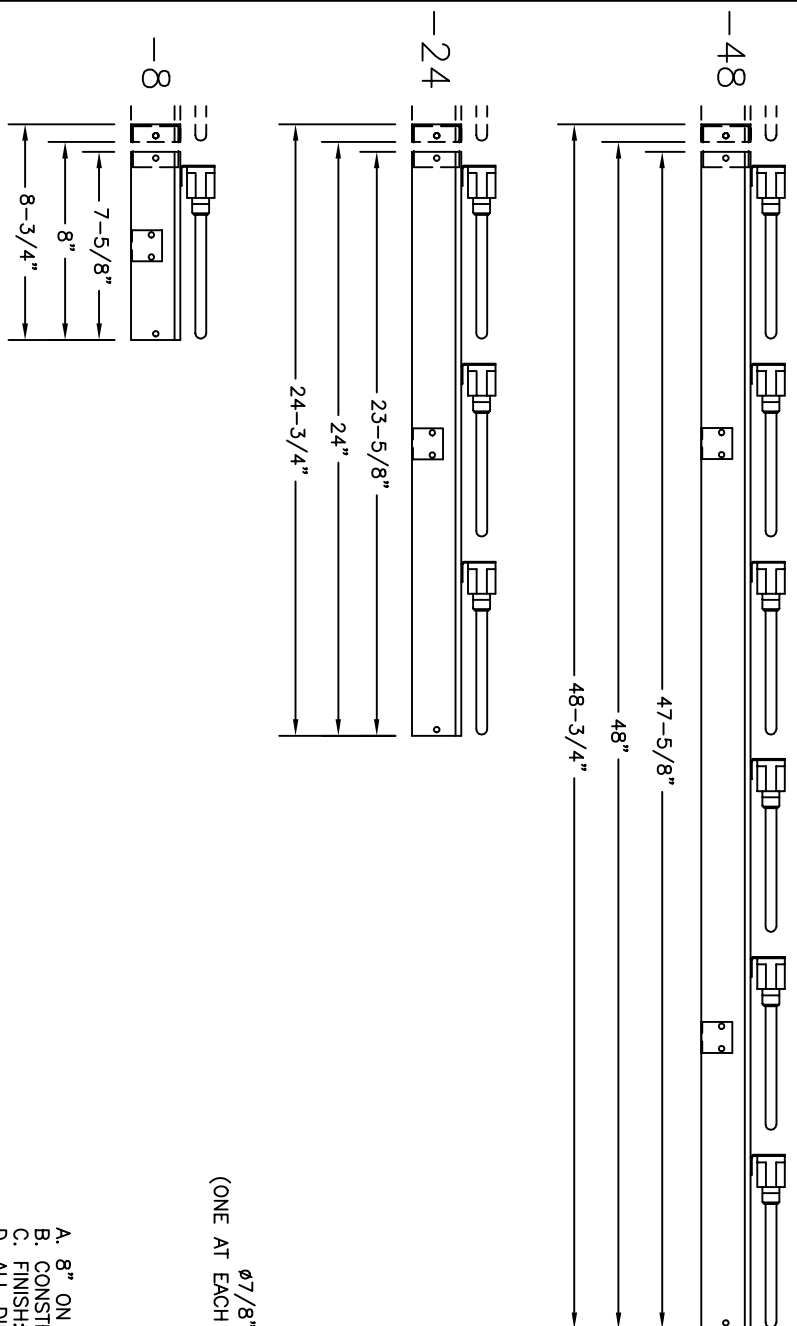
* ALL DIMENSIONS SHOWN ARE IN INCHES



division of
LIGHTING WORLD INC
1703 VALLEY ROAD
OCEAN NJ 07712
TEL (732) 493-2666
FAX (732) 493-2941

THIS DOCUMENT IS THE PROPERTY OF LIGHTING WORLD INC. NO RIGHTS ARE GRANTED FOR REPRODUCTION, DISCLOSURE, OR USE.

| | | | | |
|---|--------|----------------|-------|-----------------|
| TITLE | DATE | SCALE | DRAWN | APPROVED |
| FIXTURE #2801FX2-9W 13W | 9-6-96 | NTS | SS | NA |
| SHEET | 1 OF 1 | DRAWING NUMBER | SUBJ | 2801-FX2 REV.11 |
| <input checked="" type="checkbox"/> STANDARD <input type="checkbox"/> MODIFIED <input type="checkbox"/> CUSTOM Copyright © Lighting World Inc. | | | | |



- A. 8" ON CENTER LAMP SPACING
- B. CONSTRUCTION: FORMED ALUMINUM
- C. FINISH: SATIN ANODIZED
- D. ALL DIMENSIONS ARE NOMINAL.
- E. LAMP LENGTHS MAY VARY FROM MANUFACTURER.

2801NX2S9/13 IS COMPATIBLE WITH 2801FX2S9/13 LAMP - IN/OUT SERIES.

UL LISTED
DAMP LOCATION

| ORDERING FORMAT | | LAMP CONFIGURATION | | LAMP | | VOLTAGE | | BALLAST | | LENGTH | |
|-------------------------------|----------------|--------------------|----------------------------------|---|--|-------------------------------------|-------------------------------------|--|---|---|---|
| choose one from each category | | | | | | | | | | | |
| 2801 | linear fixture | NX2S | seamless straight lamp in or out | <input type="checkbox"/> 9 watt compact fluorescent | <input type="checkbox"/> 13 watt compact fluorescent (lamp out only) | <input type="checkbox"/> 1 120 volt | <input type="checkbox"/> 2 277 volt | <input type="checkbox"/> H high power factor | <input type="checkbox"/> 48" length (6 lamps) | <input type="checkbox"/> 24" length (3 lamps) | <input type="checkbox"/> 8" length (1 lamp) |

JOB NAME: _____

APPROVED FOR FABRICATION: _____
 REV.2 12-4-98 DK
 REV.3 01-08-01 DK

* ALL DIMENSIONS SHOWN ARE IN INCHES

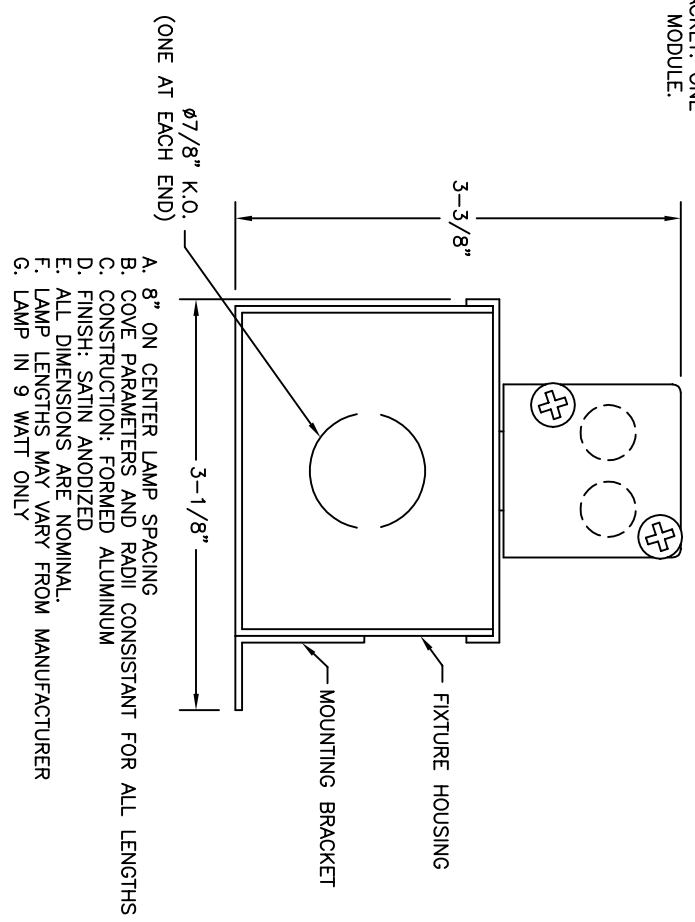
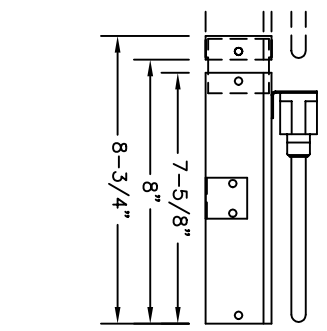
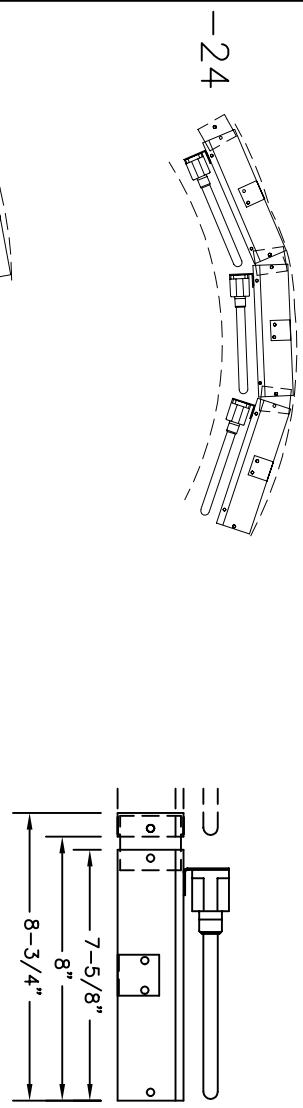
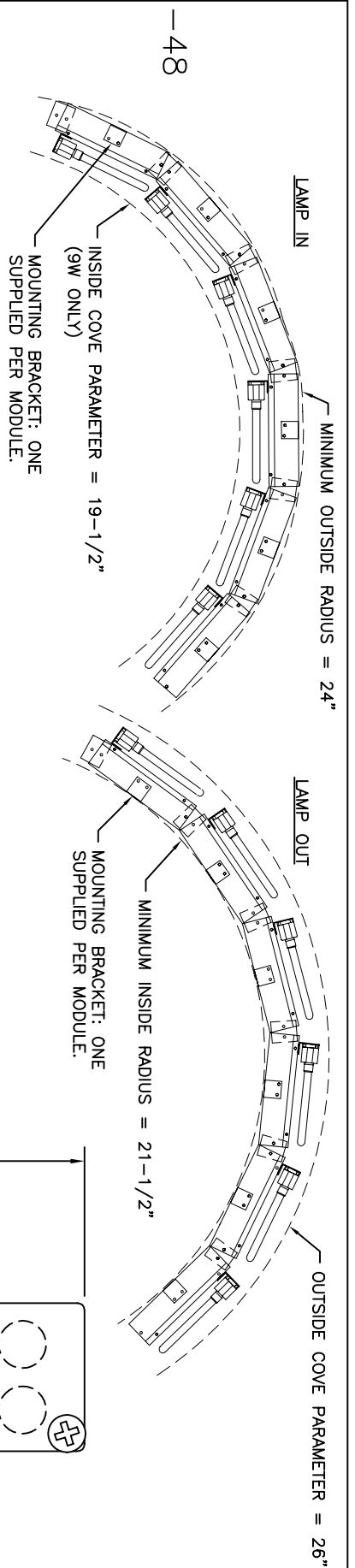
division of
LIGHTING WORLD INC
 1703 VALLEY ROAD
 OCEAN NJ 07712
 TEL (732) 493-2666
 FAX (732) 493-2941

DATE: 9-23-96
 SCALE: NTS
 SHEET: 1 OF 1
 DRAWING NUMBER: SUB\ 2801NX2S
 REV.3

THIS DOCUMENT IS THE PROPERTY OF LIGHTING WORLD INC. NO RIGHTS ARE GRANTED FOR REPRODUCTION, DISCLOSURE, OR USE.

STANDARD MODIFIED CUSTOM

copyright © Lighting World Inc.



- A. 8" ON CENTER LAMP SPACING
- B. COVE PARAMETERS AND RADIi CONSISTANT FOR ALL LENGTHS
- C. CONSTRUCTION: FORMED ALUMINUM
- D. FINISH: SATIN ANODIZED
- E. ALL DIMENSIONS ARE NOMINAL.
- F. LAMP LENGTHS MAY VARY FROM MANUFACTURER
- G. LAMP IN 9 WATT ONLY

2801FX2S9/13 IS COMPATIBLE WITH 2801NX2S9/13 LAMP - IN/OUT SERIES.

UL LISTED
DAMP LOCATION

ORDERING FORMAT: choose one from each category

| SERIES | LAMP CONFIGURATION | LAMP | VOLTAGE | BALLAST | LENGTH |
|--------|----------------------------------|--|-----------------------------------|--|---|
| 2801 | linear fixture | <input type="checkbox"/> 9 watt compact fluorescent | <input type="checkbox"/> 120 volt | <input type="checkbox"/> H high power factor | <input type="checkbox"/> 48" length (6 lamps) |
| | seamless straight lamp in or out | <input type="checkbox"/> 13 watt compact fluorescent (lamp out only) | <input type="checkbox"/> 277 volt | | <input type="checkbox"/> 24" length (3 lamps) |
| | | | | | <input type="checkbox"/> 8" length (1 lamp) |

JOB NAME: _____

APPROVED FOR FABRICATION: _____
 REL/4 11-24-98 DK
 REL/5 01-08-01 DK

* ALL DIMENSIONS SHOWN ARE IN INCHES

BELFER division of LIGHTING WORLD INC
 1703 VALLEY ROAD
 OCEAN NJ 07712
 TEL (732) 493-2666
 FAX (732) 493-2941

DATE: 9-9-94 SCALE: NTS DRAWN: SS APPROVED: NA
 SHEET: 1 OF 1 DRAWING NUMBER: SUBJ: 2801FX2S REL/5

THIS DOCUMENT IS THE PROPERTY OF LIGHTING WORLD INC. NO STANDARD MODIFIED CUSTOM RIGHTS ARE GRANTED FOR REPRODUCTION, DISCLOSURE, OR USE. COPYRIGHT © LIGHTING WORLD INC.